

# SPECIFICATIONS



## Small S-Series

<b>Disk Scrub Path:</b>	17 & 20 in 43 & 51 cm
<b>Grout Path:</b>	24 in 61 cm
<b>Orbital Path:</b>	20 & 24 in 51 & 61 cm
<b>Dimensions (LxWxH):</b>	49.5 x 22.5 x 38 in* 125 x 64 x 96 cm*
<small>*Dimensions listed are for the largest width deck configuration and squeegees removed from the machine.</small>	
<b>Solution Tank:</b>	12 Gal 45 L
<b>Recovery Tank:</b>	15 Gal 57 L
<b>Demisting Chamber:</b>	1 Gal 4 L
<b>Run Time:</b>	Up to 2 Hours*
<small>*Based on continuous scrubbing run times, standard batteries, low down pressure and all options off.</small>	
<b>Theoretical Coverage:</b>	20,000 sqft/hr* 1,858 sqm/hr*
<small>*Coverage is based off of ISSA 2010 Cleaning Times</small>	
<b>Practical Coverage:</b>	9,500 sqft/hr* 882 sqm/hr*
<small>*Coverage is based off of ISSA 2010 Cleaning Times</small>	



## Medium M-Series

<b>Disk Scrub Path:</b>	20, 26 & 28 in 51, 66 & 71 cm
<b>Cylindrical Path:</b>	26 in 66 cm
<b>Orbital Path:</b>	24 & 28 in 61 & 71 cm
<b>Dimensions (LxWxH):</b>	53 x 29 x 38.5 in* 135 x 74 x 98 cm*
<small>*Dimensions listed are for the largest width deck configuration and squeegees removed from the machine.</small>	
<b>Solution Tank:</b>	16 Gal 60 L
<b>Recovery Tank:</b>	16 Gal 60 L
<b>Demisting Chamber:</b>	1 Gal 4 L
<b>Run Time:</b>	Up to 2.5 Hours*
<small>*Based on continuous scrubbing run times, standard batteries, low down pressure and all options off.</small>	
<b>Theoretical Coverage:</b>	28,000 sqft/hr* 2,601 sqm/hr*
<small>*Coverage is based off of ISSA 2010 Cleaning Times</small>	
<b>Practical Coverage:</b>	12,800 sqft/hr* 1,189 sqm/hr*
<small>*Coverage is based off of ISSA 2010 Cleaning Times</small>	



## Large L-Series

<b>Disk Scrub Path:</b>	26 & 28 in 66 & 71 cm
<b>Cylindrical Path:</b>	26 in 66 cm
<b>Orbital Path:</b>	24 & 28 in 61 & 71 cm
<b>Dimensions (LxWxH):</b>	53 x 29 x 38.5 in* 135 x 74 x 98 cm*
<small>*Dimensions listed are for the largest width deck configuration and squeegees removed from the machine.</small>	
<b>Solution Tank:</b>	19 Gal 72 L
<b>Recovery Tank:</b>	19 Gal 72 L
<b>Demisting Chamber:</b>	1 Gal 4 L
<b>Run Time:</b>	Up to 3.5 Hours*
<small>*Based on continuous scrubbing run times, standard batteries, low down pressure and all options off.</small>	
<b>Theoretical Coverage:</b>	31,428 sqft/hr* 2,919 sqm/hr*
<small>*Coverage is based off of ISSA 2010 Cleaning Times</small>	
<b>Practical Coverage:</b>	14,857 sqft/hr* 1,380 sqm/hr*
<small>*Coverage is based off of ISSA 2010 Cleaning Times</small>	

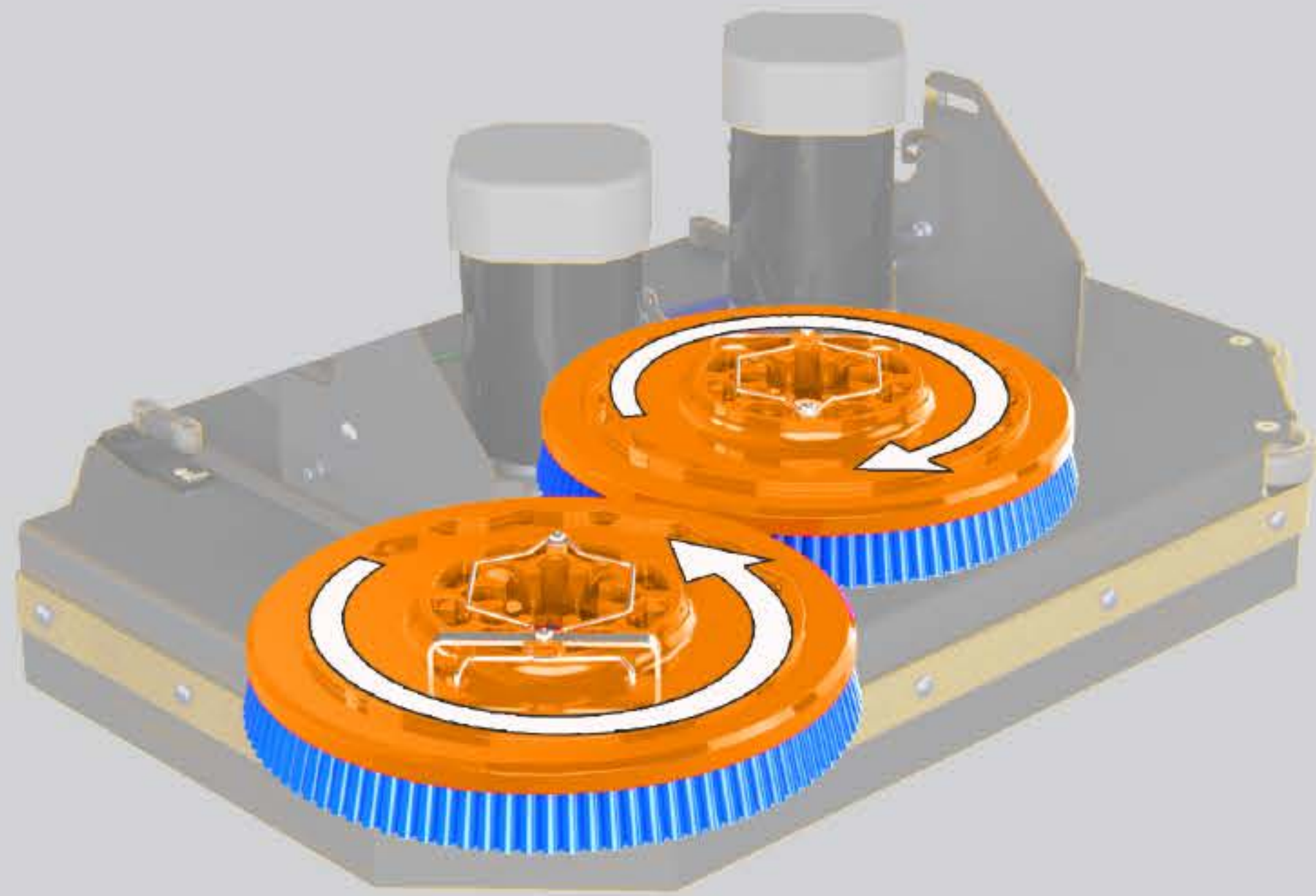


## Extra Large XL-Series

<b>Disk Scrub Path:</b>	28 & 32 in 71 & 81 cm
<b>Cylindrical Path:</b>	26 & 30 in 66 & 76 cm
<b>Orbital Path:</b>	24 & 28 in 61 & 71 cm
<b>Dimensions (LxWxH):</b>	62 x 33 x 39.5 in* 157 x 84 x 100 cm*
<small>*Dimensions listed are for the largest width deck configuration and squeegees removed from the machine.</small>	
<b>Solution Tank:</b>	25 Gal 95 L
<b>Recovery Tank:</b>	26 Gal 98 L
<b>Demisting Chamber:</b>	2 Gal 9 L
<b>Run Time:</b>	Up to 4 Hours*
<small>*Based on continuous scrubbing run times, standard batteries, low down pressure and all options off.</small>	
<b>Theoretical Coverage:</b>	32,000 sqft/hr* 2,973 sqm/hr*
<small>*Coverage is based off of ISSA 2010 Cleaning Times</small>	
<b>Practical Coverage:</b>	15,000 sqft/hr* 1,393 sqm/charge*
<small>*Coverage is based off of ISSA 2010 Cleaning Times</small>	

Specifications and features subject to change without notice.

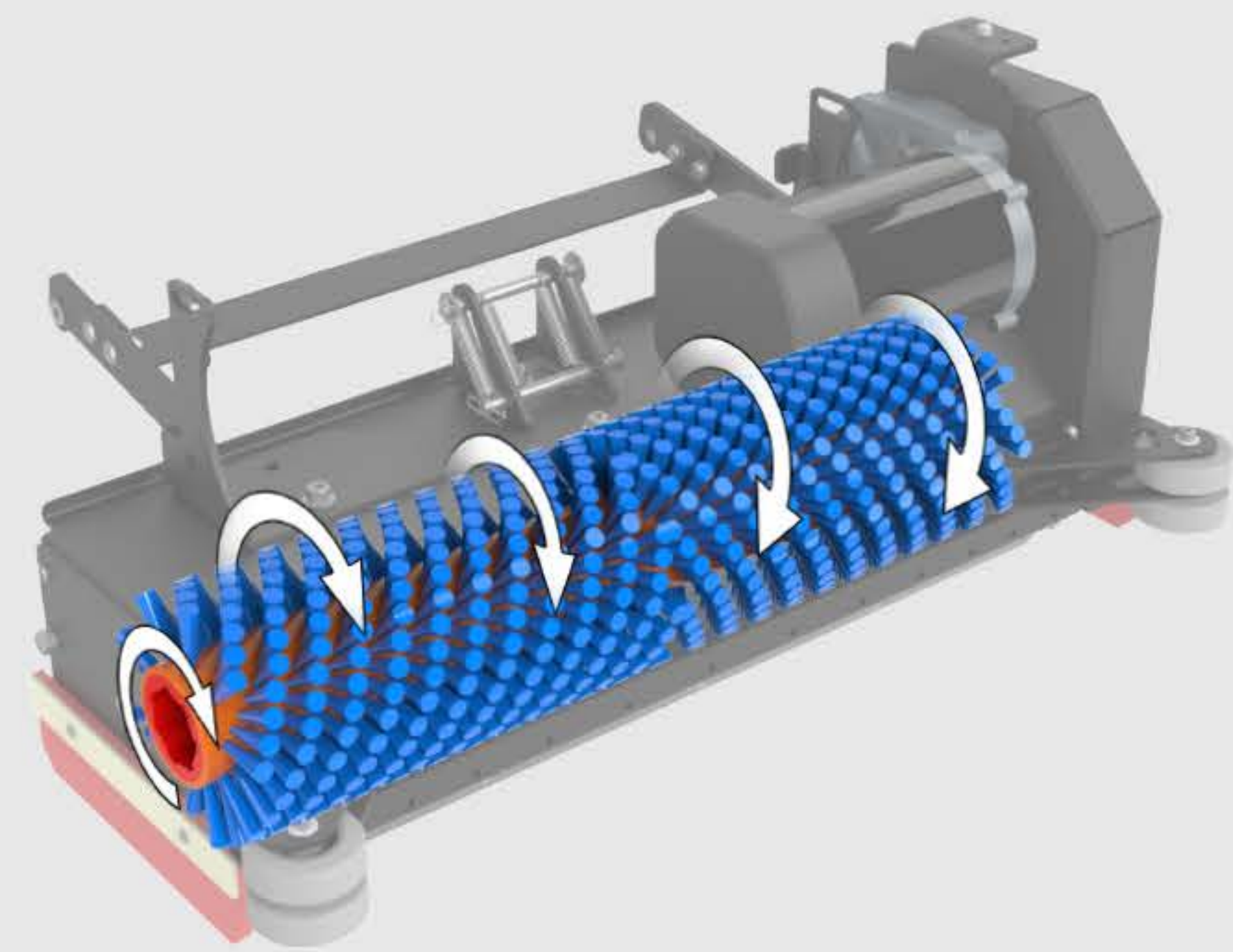




## Disk

### Benefits

- Brush / Pad Selection
- Lowest Maintenance Cost
- Improved Cleaning on Irregular Floors
- Brushes Individually Driven for Unmatched Performance

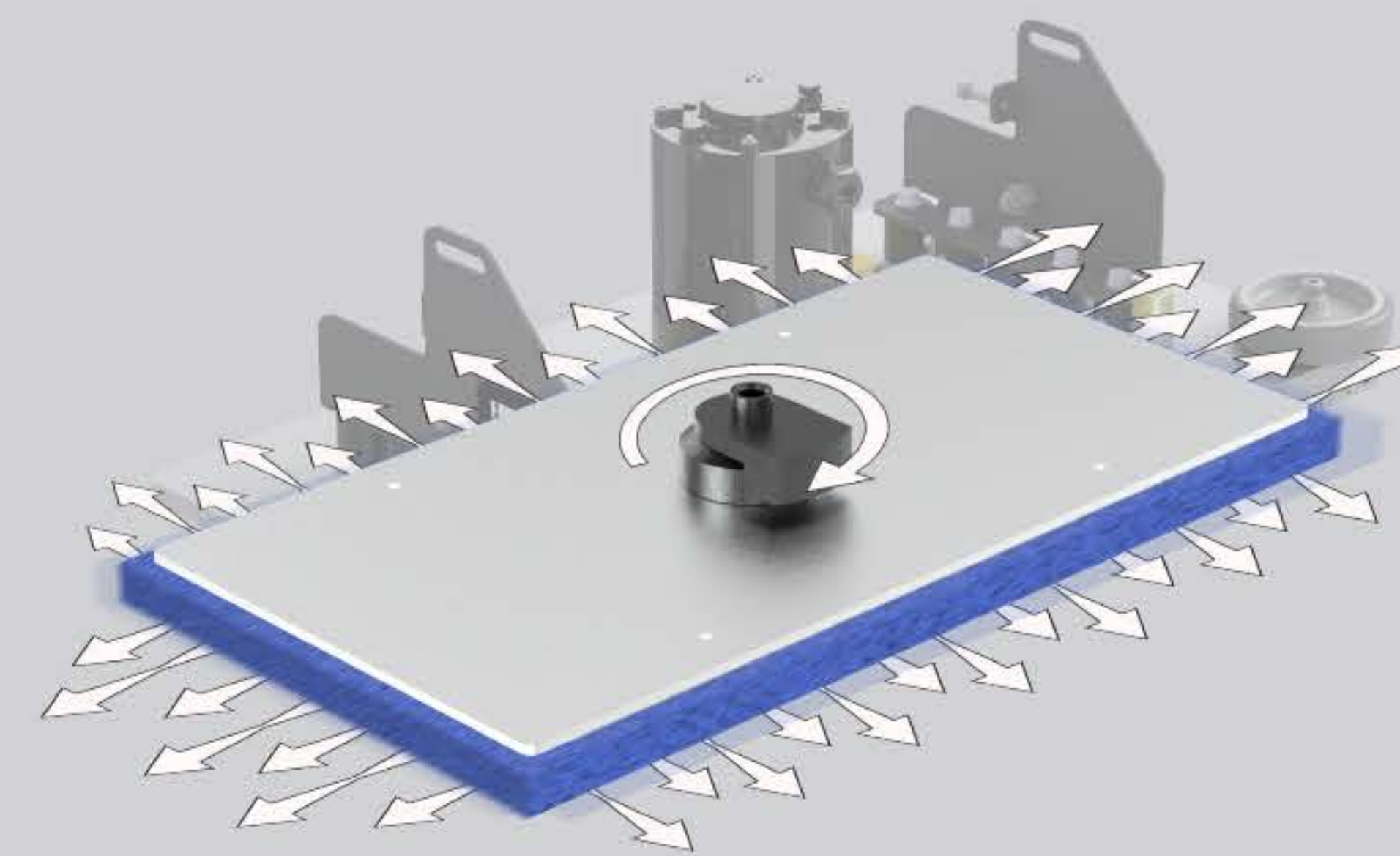


## Grout\*

### Benefits

- Ideal for grouted tile floors
- Compact for maneuverability
- Single brush simplicity
- Suitable for rubber athletic floors

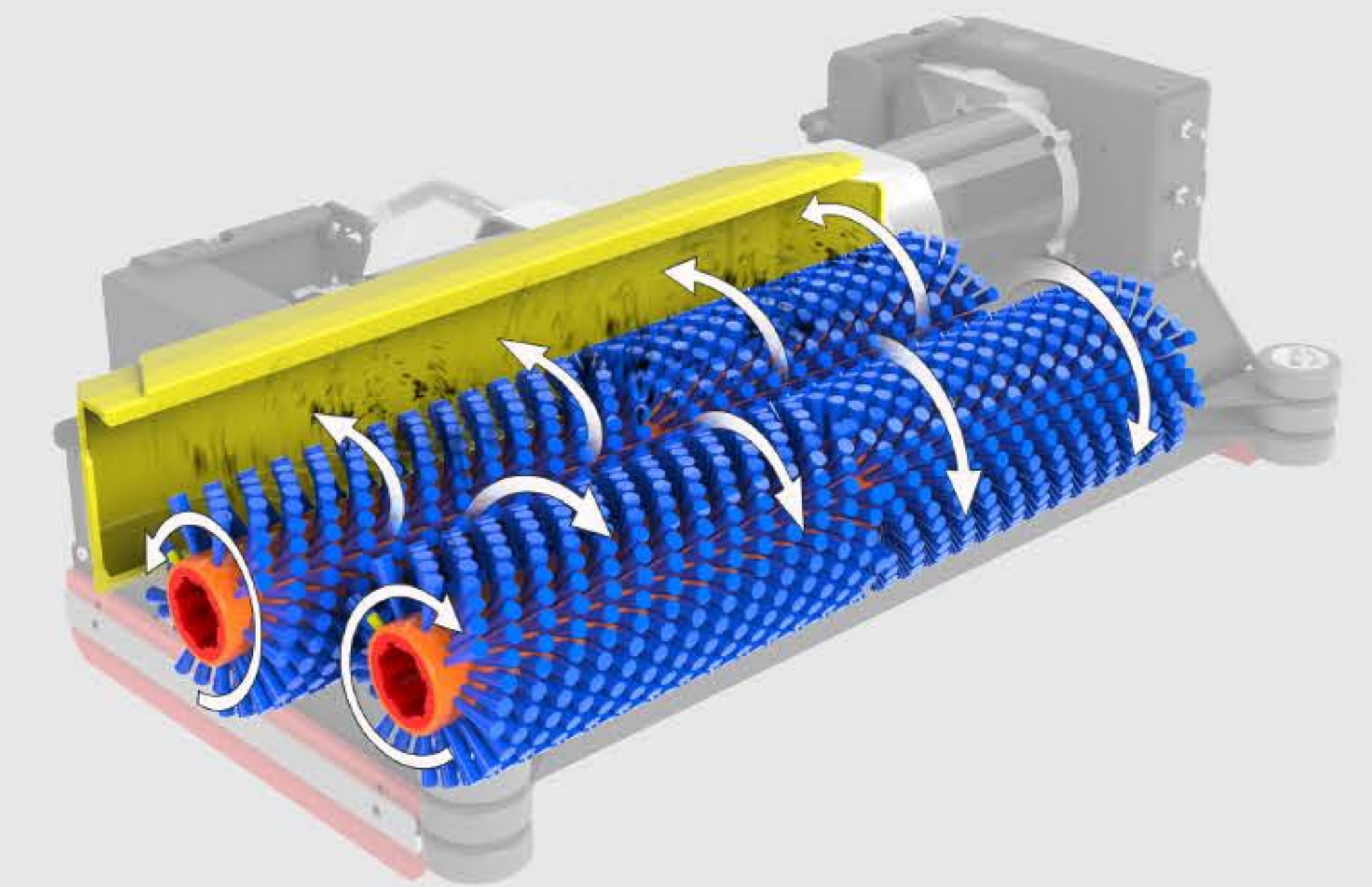
\*Only available on S-Series, no Debris Hopper.



## Orbital

### Benefits

- Chemical Free Stripping
- Reduce Slip & Fall Potential
- 70% Reduction in Water Usage
- Consistent Results - No Swirl Marks
- VCT Prep & Recoat



## Cylindrical\*

### Benefits

- Eliminates Dust Mopping
- Scrub & Sweep Simultaneously\*
- Superior Tile & Grout Cleaning
- Excellent on Rubber Surfaces
- Great for Indoor Track Fields

\*Only available on M-Series, L-Series, & XL-Series



26" Disk Deck on M Chassis Shown



24" Grout Deck on S Chassis Shown



24" Orbital Deck on M Chassis Shown



26" Cylindrical Deck on M Chassis Shown