

C
10.5"
267



Hannay Reels®
The reel leader.

Stainless Steel Reels

| Washdown | Chemical Transfer | Potable Water | Pharmaceuticals & Cosmetics | Steam Cleaning |
| Food Processing | Marine | Fueling | Fire Protection | Dairy Operations | Bottling Plants |



**You Can't Buy
A Better Reel.**

Family owned and operated since 1933

CONTENTS

Stainless Steel Reels	I.D. Hose Sizes	Page
Hannay Reels Spec Worksheet		3
Spring Rewind Reels		4-6
Series SSN700	1/4" – 1/2"	4
Series SSN800	3/4" – 1"	5
Series SS800	3/4" – 1"	6
Compact Manual Rewind Reels		7
Series SS1000	1/4" or 3/8"	7
Manual Rewind Reels		8-11
Series SS1500	3/8" – 5/8"	8
Series SS1800	5/8" – 3/4"	9
Series SS3000	3/4" – 1"	10
Series SS4000	3/4" – 1"	11

Hannay's Stainless Steel Finishes

Mill Finish (standard)

Smooth dull gray finish as supplied from the mill.

Satin Finish (optional)

Buffed to a grainy light, non-reflective finish – has a brushed look.

Polished Finish (optional)

Buffed to give a bright, reflective finish.

NOTICE:

POTABLE WATER USE: All reels are available for use with potable water (hub is cleaned, swivel joint includes a food grade lubricant). Customer must state for potable water requirements.

FUELING APPLICATIONS: Fueling application must be specified when ordering to ensure proper swivel joint seals are used.

Mounting Hole Sizes

N Series Reels	7/16" wide x 7/8" long slot running front to back
Pressed Frame Reels and Square Tubing Framed Reels	7/16" wide x 7/8" long slot running left to right
Series 1000	7/16" wide x 1-7/16" long slot
Series 1500, 1800, 4000	13/32" round holes



From washdown to fueling to processing, the only reels you'll need.

For sanitary or harsh conditions, our stainless steel reels are the top choice of OEMs around the world. Numerous industries – including food and beverage, fueling, pharmaceutical and cosmetic, marine and offshore, and dairy – trust our reels because of their resistance to rust and corrosion and the absence of paint, which can chip and contaminate products.

We offer more models and custom designs than any other reel manufacturer to meet a variety of needs, applications, installations, and functions. Every reel we build is created for the industry it will be used in – never retrofitted to the job. That means you can trust Hannay Reels to provide perfect fit and function for years to come.

Uses:

- Washdown
- Potable water
- Fueling
- Chemical transfer
- Food ingredient transfer
- Fire protection

We manufacture our stainless steel reels to industrial-duty design and construction standards using fine grade 304 stainless steel frames, discs and drums, and stainless internals. Because of their exceptional quality, they require only minimal routine maintenance and will not rust, corrode or break down even in the harshest conditions.

Hose Reel **Spec Worksheet**

To specify Hannay reels, fill out this simple form and mail, fax or email it to your dealer.
Photocopy this page or download and print from hannay.com

1. Who is the reel for?

Contact		Date / /	
Company		Position	
Street Address			
City	State	Zip	Country
Phone ()	Fax ()	Email	

2. What is the reel for?

HOSE (check one): Storage only Live Single hose Live Dual hose

Inside diameter:	Hose length:	Bend radius:	Flat hose dimensions:
Outside diameter:	Hose weight:	Coupling spacing:	

Type of product handled live application (check one):

<input type="radio"/> Liquid (specify):	<input type="radio"/> Temperature:	<input type="radio"/> Oxygen/Acetylene:	<input type="radio"/> Other (specify):
<input type="radio"/> Gases (specify):	<input type="radio"/> Pressure:	<input type="radio"/> Hydraulic fluid (specify):	

Fluid path type (check one): Steel (standard) Aluminum Stainless Steel Other

Reel inlet type (check one): Swivel joint 90° (standard) Straight

Reel outlet type (riser): Size:

Thread (check one):	<input type="radio"/> National Pipe Thread (NPT)	<input type="radio"/> Joint Industry Committee (JIC)	<input type="radio"/> Other (specify):
	<input type="radio"/> National Standard Thread (NST)	<input type="radio"/> British Standard Pipe (BSP)	

3. What features does the reel need? Check type of rewind:

MANUAL REWIND

Disc rewind (hand over hand) Gear-driven crank Direct crank (permanent or removable) Chain-driven crank

POWER REWIND

Spring Air Electric (voltage): Hydraulic

Type of installation (check one): Floor Wall Overhead Vehicle

Temperature Range: Environment:

Accessories (if any): Hose Stop: Yes No

Roller Assemblies:

Finish: Painted steel (standard) Aluminum Polished Unpolished Stainless steel Polished Unpolished

Check type of installation and roller position for spring reels:

Drag Position SR Lift Position VR Stretch (no roller) Position TR Wall Mount Position TR Recovery (pick-up) (no roller)

Constant tension available on all roller positions

Indicate your custom specifications

4. Specifying Location of Components

Optional Location of Components:

Location of the inlet, outlet riser, and rewind mechanism can be varied to meet your requirements and **must be specified on your order**. Unless otherwise specified, most reels will be shipped as **Right Top Rewind** with the inlet, outlet riser, and rewind mechanism on the operator's right.



RT - Right Top Rewind
Standard - Always look at your reel from this position to determine right hand or left hand.



RB - Right Bottom Rewind



LT - Left Top Rewind



LB - Left Bottom Rewind

Note: Use component location initials as suffix after model number (ie: SS3020-25-26 RT)

5. Please note size and/or weight limitations for your installation

SPECIFICATIONS

Depth: _____

Height: _____

Width: _____

Weight: _____

For custom applications not found in our catalogs, call the Inside Sales Group at 518-797-3791.

Series **SSN700**

- Lubrication • Potable Water • Chemical Transfer
- Washdown • Corrosive Environments

To handle 1/4" through 1/2" I.D. hose.

- Narrow frame and compact mounting base.
- Non-sparking ratchet assembly.
- Decutching arbor to prevent damage from reverse winding.
- Standard inlet: 90° stainless steel ball bearing swivel joint, 1/2" female NPT threads.
- Standard outlet: 1/2" female NPT threads.
- Standard pressures to 3000 psi (207 bar).
- Temperatures from +20°F to +400°F (-7°C to +204°C).
- Consult factory for other pressures and temperatures.
- 4-way roller assembly.
- Constant tension is available – consult factory.
- 304 stainless steel construction.
- Optional SST Mosmatic 1/2" balanced pressure swivel joint available, subtract 1.50" from "F" dimension, specify when ordering.



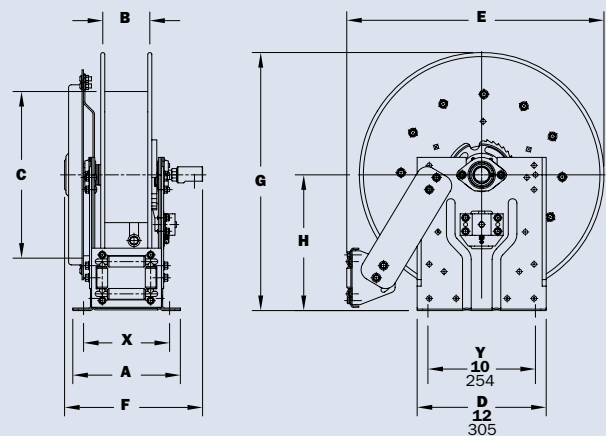
Shown with optional polished finish

PARTS DRAWING – ISO 171

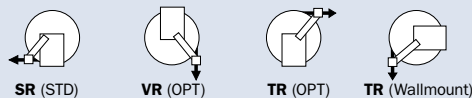
Model Number	Hose Capacity of Reel feet m				Approx. Weight lb. kg			Std. Roller Assy.	Reel Dimensions*** in. mm							
	I.D. in. mm	1/4 6	3/8 10	1/2 13	NET	UPS/ FedEx SHIP Wt.	Freight SHIP Wt.		A	B	C	E	F	G	H	X
	O.D. in. mm	5/8 16	3/4 19	7/8 22												
SSN716-16-17-10.5J	-	35	35	66	75*	108	N204S	10	4	10.5	18.5	13	17	9.12	8	
	-	11	11	30	34	49		254	102	267	470	330	432	232	203	
SSN716-19-20-10.5J	-	50	50	67	82*	109	N204S	10	4	10.5	20.75	13	20	10.62	8	
	-	15	15	30	37	49		254	102	267	527	330	508	270	203	
SSN716-23-24-15.5J	-	65	65	79	92*	114	N204S	10	4	15.5	23.75	13	24	12.62	8	
	-	20	20	36	42	52		254	102	394	603	330	610	321	203	
SSN716-23-24-15.5G	100	75	65	94	101*	129	N204S	10	4	15.5	23.75	13	24	12.62	8	
	30	23	20	43	46	59		254	102	394	603	330	610	321	203	
SSN716-25-26-15.5B	-	75	75	90	-	125	N204S	10	4	15.5	25.25	13	26	13.62	8	
	-	23	23	41	-	57		254	102	394	641	330	660	346	203	
† SSN718-25-26-15.5G	-	100	100	96	-	131	N206S	12	6	15.5	25.25	15	26	13.62	10	
	-	30	30	44	-	59		305	152	394	641	381	660	346	254	
SSN718-25-26-15.5A	-	100	100	106	-	141	N206S	12	6	15.5	25.25	15.75	26	13.62	10	
	-	30	30	48	-	64		305	152	394	641	400	660	346	254	

Notes:

1. Specifications subject to change.
 2. Reel models and capacities shown are for standard drag applications; for vertical lift applications, consult factory.
 3. Other sizes, from standard components, available on request.
 4. Finish: Refer to page 2.
 5. **Be sure to check dimensions and weights prior to ordering.**
- NOTICE:** A flexible connector must be used between the inlet pipe and the inlet swivel joint.
- * Dimensional weight applies when shipped as a parcel package (via FedEx or UPS Ground).
- ***X, Y indicate mounting holes. See page 2.
- †Capacity based on low pressure air hose only. Not for vertical lift applications.



Available Roller Positions



Series SSN800

- Dairy • Caustic Materials • Air / Water
- Chemical Transfer / Food Transfer

To handle 3/4" or 1" I.D. hose.

- Narrow frame and compact mounting base.
- Non-sparking ratchet assembly.
- Declutching arbor to prevent damage from reverse winding.
- Standard inlet: 90° stainless steel ball bearing swivel joint, 1" female NPT threads.
- Standard outlet: 1" female NPT threads.
- Standard pressures to 1000 psi (69 bar).
- Temperatures from +20°F to +400°F (-7°C to +204°C).
- Consult factory for other pressures and temperatures.
- 4-way roller assembly.
- Constant tension is available – consult factory.
- 304 stainless steel construction.



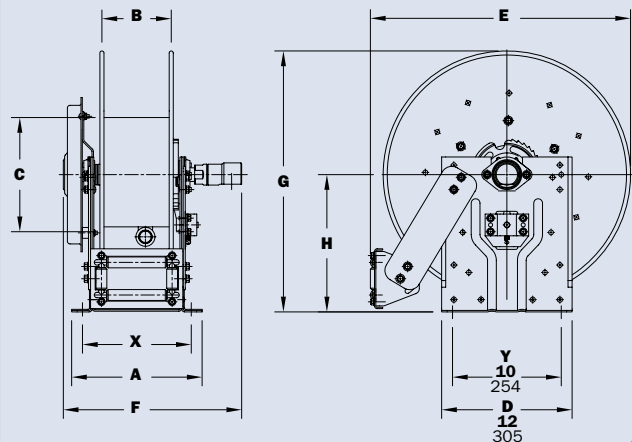
Standard configuration shown with optional polished finish

PARTS DRAWING – ISO 173

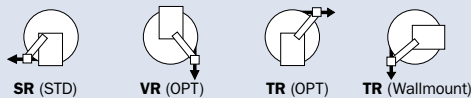
Model Number	Hose Capacity of Reel feet m			Approx. Weight lb. kg			Std. Roller Assy.	Reel Dimensions*** in. mm							
	I.D. in. mm	3/4 19	1 25	NET	UPS/ FedEx SHIP Wt.	Freight SHIP Wt.		A	B	C	E	F	G	H	X
	O.D. in. mm	1-9/32 33	1-1/2 40												
SSN816-19-20-10.5J		25 8	15 5	75 34	83* 38	110 50	N204S	10 254	4 102	10.5 267	20.75 527	14.25 362	20 508	10.62 270	8 203
†SSN818-23-24-10.5J		50 15	25 8	87 39	–	122 55	N206S	12 305	6 152	10.5 267	23.75 603	16.25 413	24 610	12.62 321	10 254
SSN816-25-26-10.5B		60 18	35 11	96 44	–	131 59	N204S	10 254	4 102	10.5 267	25.25 641	14.25 362	26 660	13.62 346	8 203
SSN818-25-26-10.5B		70 21	50 15	102 46	–	137 62	N206S	12 305	6 152	10.5 267	25.25 641	16.25 413	26 660	13.62 346	10 254

Notes:

- Specifications subject to change.
 - Reel models and capacities shown are for standard drag applications; for vertical lift applications, consult factory.
 - Other sizes, from standard components, available on request.
 - Finish: Refer to page 2.
 - Be sure to check dimensions and weights prior to ordering.**
- NOTICE:** A flexible connector must be used between the inlet pipe and the inlet swivel joint.
 * Dimensional weight applies when shipped as a parcel package (via FedEx or UPS Ground).
 ***X, Y indicate mounting holes. See page 2.
 †Capacity based on low pressure air hose only. Not for vertical lift applications.



Available Roller Positions



Series **SS800**

- Dairy • Caustic Materials • Air / Water
- Chemical / Food Transfer

To handle 3/4" or 1" I.D. hose.

- Roll-formed channel frame for heavy-duty applications.
- Non-sparking ratchet assembly.
- Decutching arbor to prevent damage from reverse winding.
- Standard inlet: 90° stainless steel ball bearing swivel joint, 1" female NPT threads.
- Standard outlet: 1" female NPT threads.
- Pressures to 1000 psi (69 bar).
- Temperatures from +20°F to +400°F (-7°C to +204°C).
- Consult factory for other pressures and temperatures.
- 4-way roller assembly.
- Constant tension is available – consult factory.
- 304 stainless steel construction.



Standard configuration shown

PARTS DRAWING – ISO 198

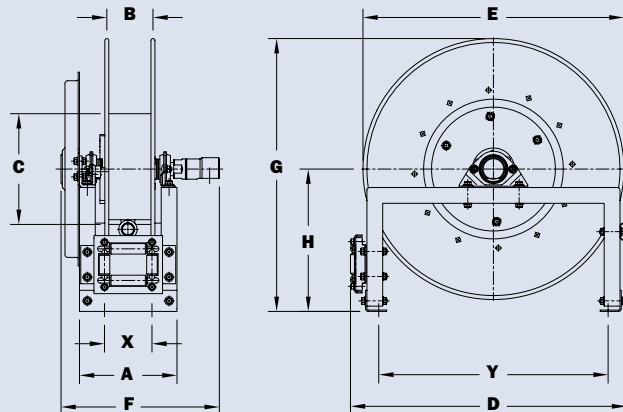
Model Number	Hose Capacity of Reel feet m			Approx. Weight lb. kg		Std. Roller Assy.	Reel Dimensions*** in. mm									
	I.D. in. mm	3/4 19	1 25	NET	SHIP		A	B	C	D	E	F	G	H	X	Y
	O.D. in. mm	1-9/32 33	1-1/2 40				9.25	4	10.5	25	26.12	14.75	25.88	13.5	4.5	21.75
SS816-25-26-10.5B	60	35	96	131	R204S	9.25	4	10.5	25	26.12	14.75	25.88	13.5	4.5	21.75	
	18	11	44	59		235	102	267	635	663	375	657	343	114	552	
SS818-25-26-10.5B	70	50	102	137	R206S	11.25	6	10.5	25	26.12	16.75	25.88	13.5	6.5	21.75	
	21	15	46	62		286	152	267	635	663	425	657	343	165	552	
SS820-25-26-10.5A	85	75	131	166	R308S	13.25	8	10.5	25	27	19.5	25.88	13.5	8.5	21.75	
	26	23	59	75		337	203	267	635	686	495	657	343	216	552	
SS820-30-31-10.5A	-	100	137	172	R308S	13.25	8	10.5	28.5	30.5	19.5	31.38	17	8.5	25.25	
	-	30	62	78		337	203	267	724	775	495	797	432	216	641	
SS820-30-31-15.5A	100	-	145	180	R308S	13.25	8	15.5	28.5	30.5	19.5	31.38	17	8.5	25.25	
	30	-	66	82		337	203	394	724	775	495	797	432	216	641	

Notes:

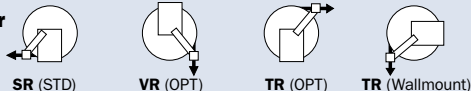
1. Specifications subject to change.
2. Reel models and capacities shown are for standard drag applications; for vertical lift applications, consult factory.
3. Other sizes, from standard components, available on request.
4. Finish: Refer to page 2.
5. **Be sure to check dimensions and weights prior to ordering.**

NOTICE: A flexible connector must be used between the inlet pipe and the inlet swivel joint.

***X, Y indicate mounting holes. See page 2.



Available Roller Positions



Series SS1000

- Pressure Washing • Spray Operations • Steam Cleaning
- Washdown • Air • Mobile and Permanent Installations

To handle single 1/4" or 3/8" I.D. hose.

- Lightweight, compact
- Direct crank rewind permanently attached.
- Adjustable cam-lock brake standard.
- Optional pin lock available.
- Standard inlet: 90° stainless steel ball bearing swivel joint, 1/2" female NPT threads.
- Standard outlet: 3/8" female NPT threads.
- Pressures to 3000 psi (207 bar).
- Temperatures from +20°F to +400°F (-7°C to +204°C).
- Consult factory for other pressures and temperatures.
- 304 stainless steel construction.



Standard configuration shown with mill finish

PARTS DRAWING – ISO 174

Model Number	Hose Capacity of Reel feet m			Approx. Weight Crank Rewind lb. kg			Reel Dimensions*** in. mm			
	I.D. in. mm	1/4 6	3/8 10	NET	UPS/ FedEx SHIP Wt.	Freight SHIP Wt.	A	B	F	X
	O.D. in. mm	5/8 16	3/4 19							
SS1014-14-16	100	75	23	42*	58	11.5	6	19.25	10	
	31	23	10	19	26	292	152	489	254	
SS1016-14-16	150	100	24	42*	59	13.5	8	21.25	12	
	46	31	11	19	27	343	203	540	305	
SS1020-14-16	250	175	25	42*	60	17.5	12	25.25	16	
	76	53	11	19	27	445	305	641	406	

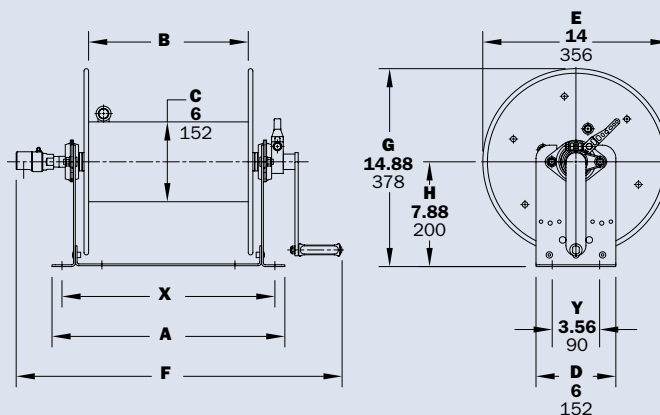
Notes:

1. Specifications subject to change.
2. Other sizes, from standard components, available on request.
3. Manual rewind available in RT or LB configurations only.
4. Finish: Refer to page 2.
5. **Be sure to check dimensions and weights prior to ordering.**

NOTICE: A flexible connector must be used between the inlet pipe and the inlet swivel joint.

* Dimensional weight applies when shipped as a parcel package (via FedEx or UPS Ground).

***X, Y indicate mounting holes. See page 2.



Series **SS1500**

- Pest Control • Pressure Washing • Steam Cleaning

To handle single 3/8" through 5/8" I.D. hose.

- Lightweight, compact reels designed for long lengths of hose.
- Manual rewind includes: cam-lock drag brake, spring actuated pin lock and direct crank rewind.
- Standard inlet: 90° stainless steel ball bearing swivel joint, 1/2" female NPT threads.
- Standard outlet: 1/2" female NPT threads.
- Rollers and roller mounting brackets are accessory items. Specify roller position.
- Pressures to 3000 psi (207 bar).
- Temperatures from +20°F to +400°F (-7°C to +204°C).
- Consult factory for other pressures and temperatures.
- Consult factory for power version.
- 304 stainless steel construction.



Standard configuration shown with optional polished finish

PARTS DRAWING – ISO 175

Model Number	Hose Capacity of Reel feet m				Approx. Weight Crank Rewind lb. kg			Reel Dimensions*** in. mm				
	I.D. in. mm	3/8 10	1/2 13	5/8 16	NET	UPS/ FedEx SHIP Wt.	Freight SHIP Wt.	A	B	E	F	X
	O.D. in. mm	3/4 19	7/8 22	1 25								
SS1514-17-18	125	75	50	27	65*	62	11	6	16.5	19.25	9.5	
	38	23	15	12	30	28	279	152	419	489	241	
SS1520-17-18	275	175	125	29	80*	64	17	12	16.5	25.25	15.5	
	84	53	38	13	36	29	432	305	419	641	394	
SS1526-17-18	400	300	200	31	98*	66	23	18	16.5	31.25	21.5	
	122	91	61	14	45	30	584	457	419	794	546	
SS1530-17-18	500	375	275	33	110*	68	27	22	16.5	35.25	25.5	
	152	114	84	15	50	31	686	559	419	895	648	
SS1536-17-18	-	475	350	35	129*	70	33	28	16.5	41.25	31.5	
	-	145	107	16	59	32	838	711	419	1048	800	

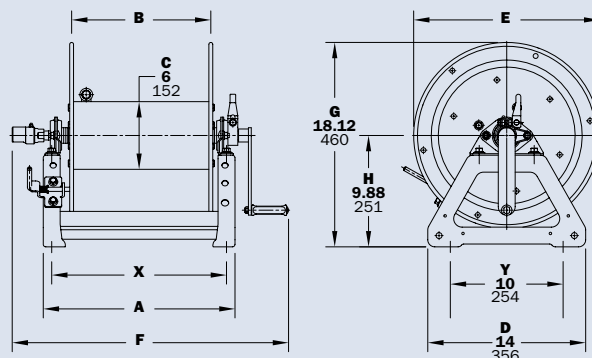
Notes:

1. Specifications subject to change.
2. Upon request, reels can be supplied with drum lengths other than shown.
3. Dimension "F" is the overall length of standard model reels.
4. Manual rewind available in RT or LB configurations only.
5. Finish: Refer to page 2.
6. **Be sure to check dimensions and weights prior to ordering.**

NOTICE: A flexible connector must be used between the inlet pipe and the inlet swivel joint.

* Dimensional weight applies when shipped as a parcel package (via FedEx or UPS Ground).

***X, Y indicate mounting holes. See page 2.



Series SS1800

- Pest Control • Pressure Washing
- Steam Cleaning • Washdown

To handle single 5/8" or 3/4" I.D. hose.

- Lightweight, compact reels designed for long lengths of hose.
- Manual rewind includes: cam-lock drag brake, spring actuated pin lock and direct crank rewind.
- Standard inlet: 90° stainless steel ball bearing swivel joint, 1" female NPT threads.
- Standard outlet: 3/4" female NPT threads.
- Rollers and roller mounting brackets are accessory items. Specify roller position.
- Pressures to 1000 psi (69 bar).
- Temperatures from +20°F to +400°F (-7°C to +204°C).
- Consult factory for other pressures and temperatures.
- 304 stainless steel construction.



Standard configuration shown

PARTS DRAWING – ISO 176

Model Number	Hose Capacity of Reel feet m			Approx. Weight Crank Rewind lb. kg			Reel Dimensions*** in. mm				
	I.D. in. mm	5/8 16	3/4 19	NET	UPS/ FedEx SHIP Wt.	Freight SHIP Wt.	A	B	E	F	X
	O.D. in. mm	1 25	1-9/32 40								
SS1816-17-18		75	50	28	80*	63	13	8	16.5	24.13	11.5
		23	15	13	36	29	330	203	419	613	292
SS1822-17-18		150	100	30	98*	65	19	14	16.5	30.13	17.5
		46	30	14	45	29	483	356	419	765	445
SS1826-17-18		200	125	32	98*	67	23	18	16.5	34.13	21.5
		61	38	15	45	30	584	457	419	867	546
SS1830-17-18		250	150	33	110*	68	27	22	16.5	38.13	25.5
		76	46	15	50	31	686	559	419	969	648
SS1836-17-18		300	200	36	129*	71	33	28	16.5	44.13	31.5
		91	61	16	59	32	838	711	419	1121	800

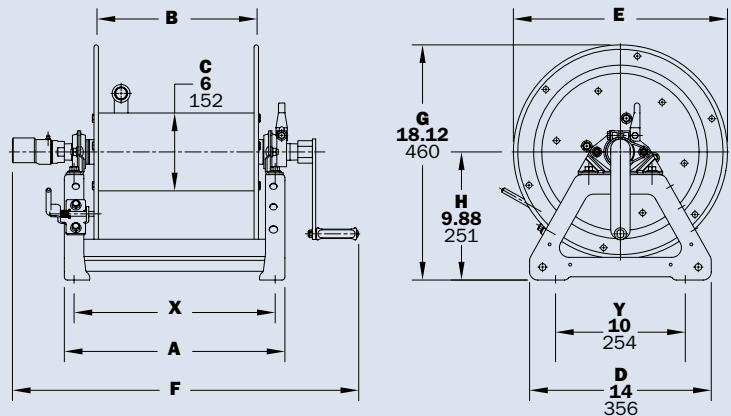
Notes:

1. Specifications subject to change.
2. Upon request, reels can be supplied with drum lengths other than shown.
3. Dimension "F" is the overall length of standard model reels.
4. Manual rewind available in RT or LB configurations only.
5. Finish: Refer to page 2.
6. **Be sure to check dimensions and weights prior to ordering.**

NOTICE: A flexible connector must be used between the inlet pipe and the inlet swivel joint.

* Dimensional weight applies when shipped as a parcel package (via FedEx or UPS Ground).

***X, Y indicate mounting holes. See page 2.



Series **SS3000**

- Marine/Corrosive Environments • Washdown
- Fire Protection • Chemical/Food Transfer

To handle 3/4" or 1" I.D. hose.

- Economical manual rewind reels for long lengths of hose.
- Choose disc rewind or removable direct crank rewind.
- Supplied with spring-actuated pin lock.
- Standard inlet: 90° stainless steel ball bearing swivel joint, 1" female NPT threads.
- Standard outlet: 1" female NPT thread.
- Rollers and roller mounting brackets are accessory items. Specify roller position.
- Pressures to 1000 psi (69 bar).
- Temperatures from +20°F to +400°F (-7°C to +204°C).
- Consult factory for other pressures and temperatures.
- Consult factory for power reels for 1" hose.
- 304 stainless steel construction.



Standard mill finish shown

PARTS DRAWING – ISO 177

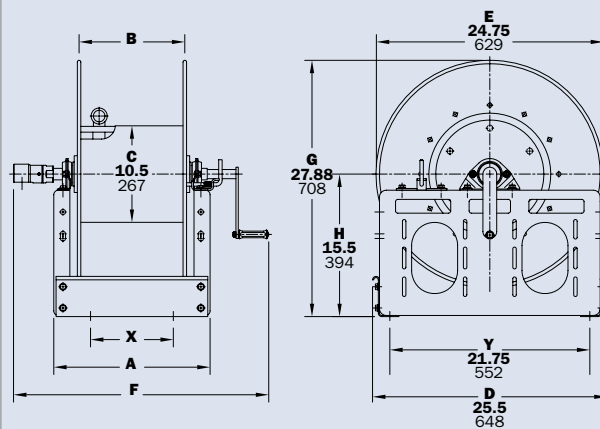
Model Number	Hose Capacity of Reel feet m				Approx. Weight Crank Rewind lb. kg		Reel Dimensions*** in. mm			
	I.D. in. mm	Round Hose		Collapsible Hose	NET	SHIP	A	B	F	X
		3/4 19	1 25	1 25						
	O.D. in. mm	1-9/32 33	1-1/2 40	1/2 x 1-3/4 13 x 44						
SS3016-25-26		100 30	75 23	200 61	85 39	120 54	13 330	7.5 191	24.5 622	7.75 197
SS3020-25-26		150 46	100 30	300 91	94 43	129 59	17 432	11.5 292	28.5 723	9 229
SS3024-25-26		200 61	125 38	400 122	103 47	138 63	21 533	15.5 394	32.5 825	13 330
SS3028-25-26		275 84	175 53	550 168	113 51	163 74	25.5 648	20 508	37 939	17.5 445

Notes:

1. Specifications subject to change.
2. Upon request, reels can be supplied with drum lengths other than shown and with disc sizes in other diameters.
3. Power rewind NOT available on these models.
4. Dimension "F" is the overall length of standard model reels. Crank rewind models, 3-1/2" clearance required to remove crank.
5. Subtract 5" from "F" dimension for disc rewind models.
6. Finish: Refer to page 2.
7. **Be sure to check dimensions and weights prior to ordering.**

NOTICE: A flexible connector must be used between the inlet pipe and the inlet swivel joint.

***X, Y indicate mounting holes. See page 2.



Series SS4000

- Food Processing • Bottling Plants • Fire Protection
- Water Supply • Chemical Transfer

To handle single 3/4" or 1" I.D. hose.

- Lightweight, compact reels designed for long lengths of hose.
- Manual rewind includes: cam-lock drag brake, spring actuated pin lock and removable direct crank rewind.
- Standard inlet: 90° stainless steel ball bearing swivel joint, 1" female NPT threads.
- Standard outlet: 1" female NPT threads.
- Rollers and roller mounting brackets are accessory items. Specify roller position.
- Pressures to 1000 psi (69 bar).
- Temperatures from +20°F to +400°F (-7°C to +204°C).
- Consult factory for other pressures and temperatures.
- 304 stainless steel construction.



Standard configuration shown

PARTS DRAWING – ISO 178

Model Number	Hose Capacity of Reel feet m			Approx. Weight Crank Rewind lb. kg			Reel Dimensions*** in. mm				
	I.D. in. mm	3/4 19	1 25	NET	UPS/ FedEx SHIP Wt.	Freight SHIP Wt.	A	B	E	F	X
	O.D. in. mm	1-9/32 33	1-1/2 40								
SS4018-17-18	50	35	36	80*	71	15	10	16.5	27.75	13.5	
	15	11	16	36	32	254	419	686	705	102	
SS4024-17-18	100	50	46	98*	81	21	16	16.5	33.75	19.5	
	30	15	21	45	37	533	406	419	857	495	
SS4030-17-18	150	75	57	110*	92	27	22	16.5	39.75	25.5	
	46	23	26	50	42	686	559	419	1010	648	
SS4038-17-18	200	100	70	-	124	35	30	16.5	47.75	33.5	
	61	30	32	-	56	889	762	419	1213	851	

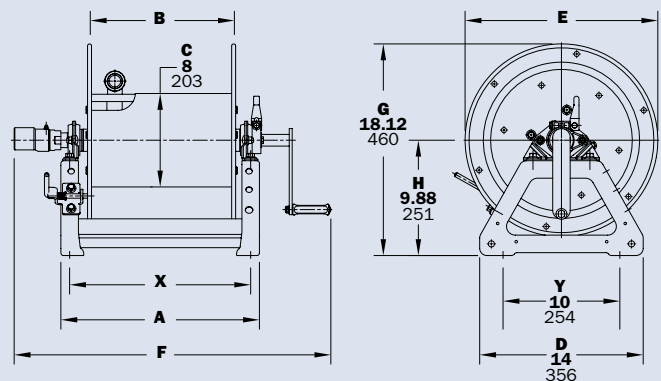
Notes:

1. Specifications subject to change.
2. Upon request, reels can be supplied with drum lengths other than shown.
3. Dimension "F" is the overall length of standard model reels. Crank rewind reels require 3-1/2" clearance to remove or install crank handle.
4. Finish: Refer to page 2.
5. **Be sure to check dimensions and weights prior to ordering.**

NOTICE: A flexible connector must be used between the inlet pipe and the inlet swivel joint.

* Dimensional weight applies when shipped as a parcel package (via FedEx or UPS Ground).

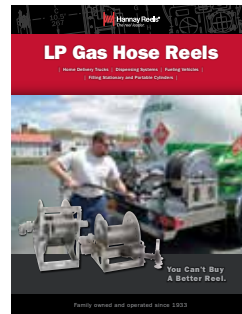
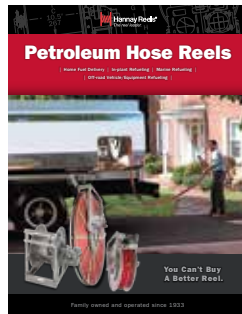
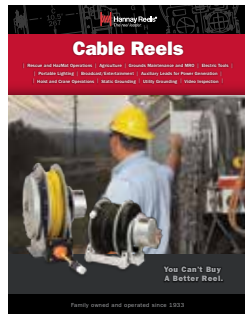
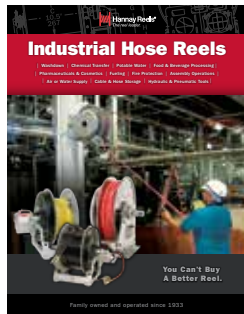
***X, Y indicate mounting holes. See page 2.



You Can't Buy A Better Reel.

Find reels for every need.

Learn more about all of our reels, including specs, drawings, and even how to select the right reels and accessories for your industry.



Industrial Hose Reels

Includes specs and information on:

- High pressure spring rewind reels
- Compact manual rewind reels
- Power rewind reels
- Portable storage reels
- Hose assemblies

Cable Reels

Find out more about:

- Manual and power rewind reels
- Storage reels
- Reels for live electric cable
- Portable reels
- Static and truck grounding reels

Petroleum Reels

Comprehensive information on:

- Manual or power rewind reels
- Power rewind reels for inverted installation
- Single wrap power rewind reels
- Guide for inverted installation

LP Gas

Details on:

- Manual or power rewind reels
- Power rewind liquid reels
- Manual rewind vapor reels
- Spring rewind reels

Ordering & Accessory Guide

Learn more about:

- Selecting the right reel
- Reel components
- Available accessories
- How to spec and order reels and accessories
- Ordering options
- Hannay Reels policies

View all our reel catalogs online at hannay.com



Family owned and operated since 1933, Hannay Reels is the world leader in both OEM and aftermarket applications. Hannay offers thousands of standard hose reel and cable reel models, as well as unmatched custom capabilities. We can easily and affordably customize a reel to meet your exact specifications – built to last, delivered fast. Additional catalogs are available through your local Hannay Reels dealer or online at hannay.com.



553 State Route 143 | Westerlo, New York 12193
Email: reels@hannay.com | hannay.com



All Hannay reels are constructed of quality heavy gauge steel (optional aluminum or stainless steel also available on most models).

Phone: **518-797-3791**
Toll Free: **1-877-467-3357**

Domestic FAX: **1-800-733-5464**
International FAX: **518-797-3259**

Form H-0419-SS Rev 7 WEB 5-20



C
10.5"
267



Hannay Reels®
The reel leader.

Reel Product News

New Spray Non-Corrosive (SNC) Series Reels



Hannay's new **Spray Non-Corrosive (SNC) Series** reels, constructed primarily of 304-grade stainless steel, are designed specifically for lawn care, agriculture, horticulture, pest control and other spray-related industries.

Competitively priced and comparable in weight to aluminum construction, the SNC series provides a significant advantage in strength and protection in corrosive environments. These reels are designed to handle a variety of applications, including water, pesticides and fertilizer mixes.

Available in both crank and electric-powered rewind, other options include 4-way roller guides, as well as lightweight aluminum reel stacking kits.



See reverse for features, capacities and reel dimensions.

Email: reels@hannay.com
hannay.com

Toll Free: **877-467-3357**
Phone: **518-797-3791**

Domestic FAX: **800-733-5464**
International FAX: **518-797-3259**



Reel Product News

Standard Features:

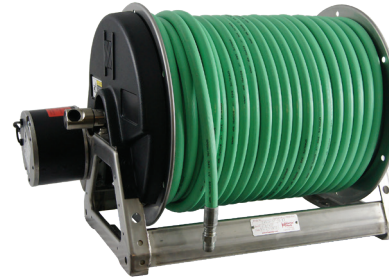
To handle single 3/8" through 5/8" I.D. hose.

- Lightweight, low-profile reels designed for hose lengths up to 500 ft.
- Mostly 304 SST construction, including discs, axle hub, and welded frame.
- Non-SST components: Drum (Aluminum), Swivel Joint, Bearings (Plated).
- Manual (direct crank) reels include both pin lock and 3-position cam-lock drag brake.
- Electric rewind reels (denoted by letter 'E' at end of model) feature plated chain/sprocket drive with guard.
- Standard inlet: 90° full-flow swivel, 1/2" FNPT threads. Standard outlet: 1/2" FNPT threads.
- Standard pressure rated to 3000 psi (207) bar. Higher pressures available, consult factory.

Options:

- Aluminum stackable frame (for manual rewind reels).
- SST rollers and roller mounting brackets.
- Drum, swivel joint and bearings all upgradeable to SST.
- Power rewind reels: Motor available in 12 or 24VDC, as well as 115VAC.

Top: Model SNC-18 manual rewind reel with optional rollers.



Middle: Model SNC-18E electric rewind reel (hose not included).



Bottom: Models SNC-18 manual rewind reels shown with optional stacking frame and rollers.

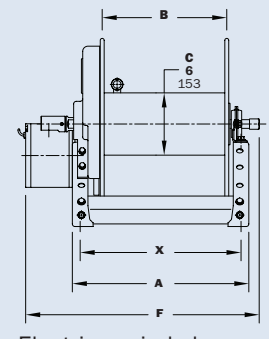
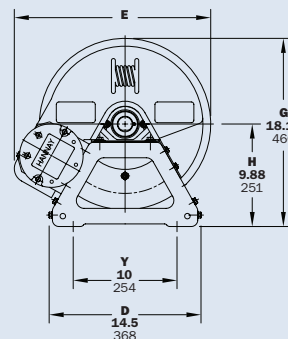
SNC Series Reels

Model Number	Hose Capacity of Reel feet m			Approx. Weight lb. kg			Reel Dimensions*** in. mm					
	I.D. in. mm	3/8 10	1/2 13	5/8 16	NET	UPS/ FedEx SHIP Wt.	Freight SHIP Wt.	A	B	E	F	X
SNC-12		300	200	125	29	80*	64	17	12	16.5	25.25	15.5
		84	53	38	13	36	29	432	305	419	641	394
SNC-18		400	300	200	31	98*	66	23	18	16.5	31.25	21.5
		122	91	61	14	45	30	584	457	419	794	546
SNC-22		500	400	275	33	110*	68	27	22	16.5	35.25	25.5
		152	114	84	15	50	31	686	559	419	895	648
SNC-12E		300	200	125	47	80*	82	17	12	19	22.5	15.5
		84	53	38	21	36	37	432	305	483	572	394
SNC-18E		400	300	200	49	98*	84	23	18	19	28.5	21.5
		122	91	61	22	45	38	584	457	483	724	546
SNC-22E		500	400	275	51	110*	86	27	22	19	32.5	25.5
		152	114	84	23	50	39	686	559	483	826	648

Notes:

1. Specifications subject to change.
2. Other models available than those shown.
3. Dimension "F" is the overall length of standard model reels.
4. Electric rewind reels indicated with 'E' in model suffix (example - SNC-12E).
5. Be sure to check dimensions and weights prior to ordering.

NOTICE: A flexible connector must be used between the inlet pipe and the inlet swivel joint.
 * Dimensional weight applies when shipped as a parcel package (via FedEx or UPS Ground).
 *** X, Y indicate mounting holes.



Electric rewind shown