

C
10.5"
267



Hannay Reels®
The reel leader.

Industrial Hose Reels

- | Washdown | Chemical Transfer | Potable Water | Food & Beverage Processing |
- | Pharmaceuticals & Cosmetics | Fueling | Fire Protection | Assembly Operations |
- | Air or Water Supply | Cable & Hose Storage | Hydraulic & Pneumatic Tools |



**You Can't Buy
A Better Reel.**

Family owned and operated since 1933

CONTENTS

Hannay hose reels come in all sizes and capacities.

Hannay Reels is the leading manufacturer of high quality hose and cable reels for most every conceivable application. This catalog describes and gives specifications on our most popular hose reels. If you don't see what you're looking for, give us a call and we will help you meet your needs.

Hannay Reels offers aluminum, carbon and stainless steel construction for most models.

Special coatings and finishes are also available.

Reel Type	I.D. Hose Sizes	Page
Hannay Reels Policies – Our Guarantee, Service Policy, Paint Notice, Return Goods Policy		3
Hannay Reels Spec Worksheet		4
Hose Assemblies, Mounting Hole Sizes		5
Spring Rewind Reels		
Series AG	1/4" – 1-1/2"	6-7
Series N400	1/4" or 3/8"	8
Series N500 (high pressure)*	1/4" or 3/8"	9
Series N600 (dual hose)	1/4" – 1/2"	10
Series 600 (dual hose)	1/4" – 3/4"	11
Series N700*	1/4" – 1/2"	12
Series 700*	1/4" – 1/2"	13
Series N800*	3/4" or 1"	14
Series 800*	3/4" or 1"	15
Series 900*	1-1/4" or 1-1/2"	16
Compact Manual Rewind Reels		
Series 1000	1/4" or 3/8" or 1/2"	17
Manual or Power Rewind Reels		
Series 1500	3/8" – 5/8"	18
Series 1800	5/8" or 3/4"	19
Series 2000 (dual hose)	1/4" – 1/2"	20
Series G2000 (dual hose, manual only)	1/4" – 1/2"	21
Series 3000 (manual only)	3/4" or 1"	22
Series 3500 (manual only)	1-1/4" or 1-1/2"	23
Series 4000	3/4" or 1"	24
Series G4100	3/4" or 1"	25
Series 6000	1/2" – 1"	26-27
Series 7000 (dual hose)	3/4" or 1"	28
Series 7500*	1-1/4" or 1-1/2"	29
Series 8000	1-1/2" or 2"	30
Series 9000	2-1/2" or 3"	31
Portable Hose Reels on Wheels		
Series 1100, AT1200	3/8" – 1"	32
Portable Storage Reels on Wheels		
Series C1150, ATC1250	NA	33
Storage Reels: Manual or Power Rewind		
Series C1500	1/4" – 1" O.D.	34
Series C3200 (manual only)	1/2" – 1-1/2" O.D.	35

* Reel is appropriate for fuel/lubrication applications



Hannay Reels: The industry choice.

Designed to spec and built of the highest quality materials, our reels stand up to the most demanding conditions of any industry. We offer thousands of hose and cable reels that help improve efficiency, productivity, and safety in your operation by keeping hoses and cables organized and off the floor.

The heavy-duty design and construction of our reels ensure that they outlast the competition and save you money. And bolted-on components and conveniently located swivel joints make servicing our reels quick and trouble-free.

Every reel we build is created for the industry in which it will be used, from processing to welding to maintenance and more – never retrofitted to the job. That means you can trust Hannay reels to be durable and dependable for years to come.

Uses:

- Blasting/slurry
- Hydraulic/pneumatic power tools
- Washdown and sanitation
- Chemical transfer
- Power wash/steam cleaning
- Potable water
- Pressurized air
- Gas welding
- Fuel and lubrication
- Electric cable for lights, tools, and machinery
- In-plant firefighting
- Vacuum and suction

Hannay Reels **Sales Policies**

Hannay Reels 3-Year Limited Warranty

Products manufactured by Hannay Reels, Inc. ("Hannay") are warranted for 3 years from date of shipment when properly installed, maintained, and operated in accordance with Hannay instructions. In no event will Hannay have a warranty obligation for normal wear and tear, or for products that have, at Hannay's determination, been subjected to accident, abuse, misapplication, improper installation or improper maintenance. Common examples of normal wear and tear would include paint finish, swivel joint seal wear, and switch or motor brush wear.

Hannay makes no warranties, express or implied, other than those included in this warranty statement, and we disclaim any implied warrant of merchantability or fitness for any particular purpose. Hannay will not be liable for any consequential, incidental, or indirect damages from any cause whatsoever.

Failure to use a flexible inlet connection on any live hose reel will void the swivel joint warranty. Failure to use a properly sized circuit breaker with any electric rewind motor will void the electric motor warranty. Failure to use a filter and lubricator on any air rewind motor will void the air motor warranty. Failure to follow all procedures outlined in the Safety Guidelines document will void the warranty.

Components not manufactured by Hannay will be subject to the original manufacturers' warranties. Examples of such components include: hose and cable, motors, speed controls, and switches, swivel joints and seals, slip ring and brush assemblies.

Equipment which proves to be defective upon our inspection will be replaced free of charge, including freight to the customer. Our responsibility ceases upon delivery to any common carrier and we do not, unless previously instructed, insure shipments beyond point of delivery to such carrier. **No material will be accepted for return without a return goods authorization (RGA).** This warranty extends to the replacement or repair of the reel or part (no labor).

Hannay reserves the right to modify or alter materials, dimensions, design, and construction when necessary to improve the performance of the reel and/or accessories, or to meet delivery requirements.

Notice on Reel Finish

Standard finish on Hannay reels is a high performance modified acrylic enamel paint. Standard color is metallic graphite. Other colors available at no additional cost include red, white, black, and primer.

Most of the major components on standard reels are e-coated prior to receiving final topcoat paint finish. This combination of e-coat and enamel topcoat will meet the finish requirements of most customer applications and environments.

In cases where requirements cannot be met with the standard finish, Hannay Reels can coat any model reel with an automotive primer, allowing application of final coating at your facility. Alternatively, Hannay Reels can provide a quote for matching a customer-provided paint specification. For further information, please contact your Hannay Reels sales engineer and a special paint request form will be sent to you.

For environments where no paint finish is suitable, we offer both aluminum and stainless steel (304 grade) construction on most reel models.

Return Goods Policy

All Hannay reels are built to order. These orders are typically placed into production within 1 business day of receipt. Once production begins, it may not be possible to cancel the order.

To prevent returns because the wrong reels or parts were ordered, please use the Hannay Reels Spec Worksheet (either online or from our Order Accessory Guide) when specifying reels. Be sure to include any size, weight, pressure and/or material compatibility limitations for the application.

In the event that an item does need to be returned for credit, repair or replacement, prior approval must be obtained from Hannay Reels. Upon your request, we will send a Return Goods

Authorization (RGA) form. A signed copy of this form must accompany the material when returned to us, with the RGA number clearly showing on the outside of the box—a label is provided to you that you can print and attach. No product will be accepted for return or credit without an authorized RGA number.

All material must be returned prepaid, unless otherwise noted on our RGA. No return will be accepted that has been damaged due to improper return packaging, tampered with or altered from its original condition. Our restocking and handling fee is a minimum of 25% for standard catalog reels and parts. Custom reels specially built to customer specifications cannot be returned for any reason.

Hannay Reels **Spec Worksheet**

To specify Hannay reels, fill out this simple form and mail, fax or email it to your dealer.
Photocopy this page or download and print from hannay.com

1. Who is the reel for?				
Contact			Date / /	
Company		Position		
Street Address				
City		State	Zip	Country
Phone ()		Fax ()	Email	

2. What is the reel for?			
<input type="checkbox"/> HOSE (check one): <input type="radio"/> Storage only <input type="radio"/> Live Single hose <input type="radio"/> Live Dual hose			
Inside diameter:	Hose length:	Bend radius:	Flat hose dimensions:
Outside diameter:	Hose weight:	Coupling spacing:	
Type of product handled live application: (check one):			
<input type="radio"/> Liquid (specify):	<input type="radio"/> Temperature:	<input type="radio"/> Oxygen/Acetylene:	<input type="radio"/> Other (specify):
<input type="radio"/> Gases (specify):	<input type="radio"/> Pressure:	<input type="radio"/> Hydraulic fluid (specify):	
Fluid path type: (check one): <input type="radio"/> Steel (standard) <input type="radio"/> Aluminum <input type="radio"/> Stainless Steel <input type="radio"/> Other			
Reel inlet type: (check one): <input type="radio"/> Swivel joint 90° (standard) <input type="radio"/> Straight			
Reel outlet type (riser): Size:			
Thread (check one):	<input type="radio"/> National Pipe Thread (NPT)	<input type="radio"/> Joint Industry Committee (JIC)	<input type="radio"/> Other
	<input type="radio"/> National Standard Thread (NST)	<input type="radio"/> British Standard Pipe (BSP)	

Indicate your custom specifications

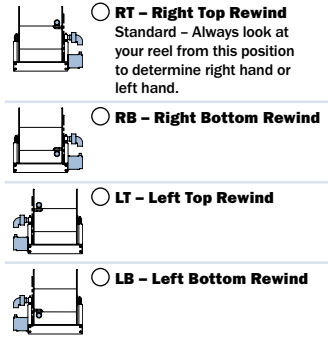
CABLE (check one): <input type="radio"/> Live* <input type="radio"/> Storage only		
*Number of conductors, or wire gauge, required:		
*Number of connectors:	Cable weight:	Cable length:
*Voltage:	Outside diameter:	
*Amperage (live application only):	Bend radius:	

Indicate your custom specifications

3. What features does the reel need? Check type of rewind:			
<input type="checkbox"/> MANUAL REWIND			
<input type="radio"/> Disc rewind (hand over hand)	<input type="radio"/> Gear-driven crank	<input type="radio"/> Direct crank (permanent or removable)	<input type="radio"/> Chain-driven crank
<input type="checkbox"/> POWER REWIND			
<input type="radio"/> Spring	<input type="radio"/> Air	<input type="radio"/> Electric (voltage):	<input type="radio"/> Hydraulic
Type of installation (check one): <input type="radio"/> Floor <input type="radio"/> Wall <input type="radio"/> Overhead <input type="radio"/> Vehicle			
Temperature Range:		Environment:	
Accessories (if any):		Hose/Cable Stop: <input type="radio"/> Yes <input type="radio"/> No	
Roller Assemblies:			
Finish: <input type="checkbox"/> Painted steel (standard) <input type="checkbox"/> Aluminum <input type="checkbox"/> Polished <input type="checkbox"/> Unpolished <input type="checkbox"/> Stainless steel <input type="checkbox"/> Polished <input type="checkbox"/> Unpolished			

4. Specifying Location of Components

Optional Location of Components:
Location of the inlet, outlet riser, and rewind mechanism can be varied to meet your requirements and **must be specified on your order**. Unless otherwise specified, most reels will be shipped as **Right Top Rewind** with the inlet, outlet riser, and rewind mechanism on the operator's right.



Note: Use component location initials as suffix after model number (ie: E1520-17-18 LT)

5. Please note size and/or weight limitations for your installation				
SPECIFICATIONS				
Depth: _____				
Height: _____				
Width: _____				
Weight: _____				

Check type of installation and roller position for spring reels:

Drag Position SR Lift Position VR Stretch (no roller) Position TR Wall Mount Position TR Recovery (pick-up) (no roller)

Constant tension available on all roller positions

5. Please note size and/or weight limitations for your installation

SPECIFICATIONS

Depth: _____

Height: _____

Width: _____

Weight: _____

For custom applications not found in our catalogs, call the Inside Sales Group at 518-797-3791.

Hose Assemblies

Complete Reel Packages are also available.

For further information, refer to the Reel Packages Sheet at Hannay.com.

Hose Assemblies

Allow us to quote the hose along with the reel to simplify your procurement process. Hannay inventories a wide variety of hose assemblies for common applications like general purpose air and water, petroleum products, hydraulics, oxygen/acetylene, breathing air, and rescue equipment. Special lengths, fittings, and custom application assemblies are usually available in 5 to 10 business days. Beside the I.D. and Length, be sure to know the Temperature Range, Fluid, Working Pressure, and Fitting Specifications for your hose.

Low Pressure Hose

We stock a variety of low pressure hose assemblies in several sizes and lengths. We offer hose with EPDM cover and tube and brass fittings, which are excellent for air, water, and many agricultural chemicals. EPDM is recommended for outside usage due to its resistance to heat, sunlight, and weathering.

For shop use, we offer a hose with high oil resistant tube and cover. It is suitable for use with petroleum based hydraulic fluid, lubricating oil, anti-freeze, diesel fuel, water, and air and may be special ordered in several different colors. Hoses for specialty applications are available upon request.

Medium and High Pressure Hose

Several different hydraulic and general purpose hose assemblies are offered to meet the specifications of your particular application. We stock an assortment of common sizes to be able meet your needs with a minimum delivery time.

Twin Hydraulic Hose

Hannay Reels offers bonded hydraulic hose that helps solve problems associated with unwinding and storing multiple lines. Various options are available not only for hydraulic fluid, but a wide variety of chemicals, agricultural sprays, urethane foam mixers, and fire resistant fluids.

Twin Oxygen/Acetylene Hose

We stock Grade R and Grade T twin hose assemblies in 1/4" and 3/8" in lengths of 50', 75', and 100' which will cover most requirements for oxygen/acetylene, as well as propane and MAPP. For oxygen/acetylene reels, see the Hannay Welding Reels Catalog H-0408-W.

Note: All spring rewind reels complete with hose are supplied with appropriate hose stop. (See Ordering & Accessory Guide.)

Mounting Hole Sizes

N Series Reels	7/16" wide x 7/8" long slot running front to back
Pressed Frame Reels and Channel Framed Reels	7/16" wide x 7/8" long slot running left to right
Series 1000	7/16" wide x 1 7/16" long slot
Series 1500, 1800, 2000, 4000	13/32" round holes

Series **AG** | With Air Speed Control Governor

To handle 1/4" through 1-1/2" I.D. hose.

Most Hannay spring reel models are available with an air governor rewind assist, which prevents the hose from winding back onto the reel too quickly. Speed is regulated by restricting air flow through an air governor attached to the rewind mechanism. The result is smooth, controlled rewind speed each and every time.

Unlike other speed control mechanisms designed for spring rewind reels, there are 3 major advantages to the Hannay design:

- 1. Highly scalable** – The air speed control governor can be scaled up to regulate speed on even the most powerful spring reels we offer. Other designs can only work on light-duty springs.
- 2. Operates in all climates** – Because the AG Series uses air flow to control speed (not hydraulic fluid, which can change viscosity depending on temperature), the reel's rewind speed is controlled and unaffected, even by cold weather.
- 3. Fully adjustable** – The end-user can turn the air restrictor clockwise or counterclockwise until the optimal rewind speed is found for the application.

For further information (other than dimensions) on any of the AG Series reels listed below, please go to the following pages in this catalog:

- AG600 Series: Go to page 11 (Series 600)
- AG700 Series: Go to page 13 (Series 700)
- AG800 Series: Go to page 15 (Series 800)
- AG900 Series: Go to page 16 (Series 900)



AG800 Series shown

Model Number	Hose Capacity of Reel feet m								Approx. Weight lb. kg		Std. Roller Assy.	Reel Dimensions*** in. mm									
	I.D. in.	1/4	3/8	1/2	3/4	1	1-1/4	1-1/2	NET	SHIP		A	B	C	D	E	F	G	H	X	Y
	mm	6	10	13	19	25	32	38				16	19	22	33	40	46	52			
AG615-23-24-10.5B	2/65	2/60	2/30	-	-	-	-	-	117	152	AG303	9.25	3	10.5	23.25	25.25	15.75	23.88	12.5	4.5	20
	2/20	2/18	2/9	-	-	-	-	-	53	69		235	76	267	591	641	400	607	318	114	508
AG617-25-26-15.5B	2/75	2/75	2/50	-	-	-	-	-	118	153	AG305	11.25	5	15.5	25	27	17.75	25.88	13.5	6.5	21.75
	2/23	2/23	2/15	-	-	-	-	-	54	69		286	127	394	635	686	451	657	343	165	552
AG617-25-26-15.5A	2/100	2/85	-	-	-	-	-	-	145	180	AG305	11.25	5	15.5	25	27	18.50	25.88	13.5	6.5	21.75
	2/30	2/26	-	-	-	-	-	-	66	82		286	127	394	635	686	470	657	343	165	552
AG618-30-31-15.5A	-	-	2/100	2/50	-	-	-	-	155	190	AG306	12.25	6	15.5	28.5	30.5	19.50	31.38	17	7.5	25.25
	-	-	2/30	2/15	-	-	-	-	70	86		311	153	394	724	775	495	797	432	190	641
AG716-19-20-10.5J	-	50	50	-	-	-	-	-	101	136	AG304	10.25	4	10.5	18	20	14.75	19.75	10.5	5.5	14.75
	-	15	15	-	-	-	-	-	46	62		260	102	267	457	508	375	502	267	139	375
AG716-23-24-15.5J	-	65	65	-	-	-	-	-	111	146	AG304	10.25	4	15.5	23.25	25.25	14.75	23.88	12.5	5.5	20
	-	20	20	-	-	-	-	-	50	66		260	102	394	591	641	375	607	318	139	508
AG716-25-26-15.5B	-	75	75	-	-	-	-	-	115	150	AG304	10.25	4	15.5	25	27	14	25.88	13.5	5.5	21.75
	-	23	23	-	-	-	-	-	52	68		260	102	394	635	686	356	657	343	139	552
AG718-25-26-15.5G	-	100	100	-	-	-	-	-	121	156	AG306	12.25	6	15.5	25	27	16	25.88	13.5	7.5	21.75
	-	30	30	-	-	-	-	-	55	71		311	152	394	635	686	406	657	343	190	552
AG718-30-31-20D	-	150	125	-	-	-	-	-	152	187	AG306	12.25	6	20	28.5	30.5	16.75	31.38	17	7.5	25.25
	-	46	38	-	-	-	-	-	69	85		311	152	508	724	775	425	797	432	190	641
AG818-23-24-10.5J	-	-	-	50	25	-	-	-	110	145	AG306	12.25	6	10.5	23.25	25.25	16.75	23.88	12.5	7.5	20
	-	-	-	15	8	-	-	-	50	66		311	152	267	591	641	425	607	318	190	508
AG816-25-26-10.5B	-	-	-	60	35	-	-	-	121	156	AG304	10.25	4	10.5	25	27	14.75	25.88	13.5	5.5	21.75
	-	-	-	18	11	-	-	-	55	71		260	102	267	635	686	375	657	343	140	552
AG818-25-26-10.5B	-	-	-	70	50	-	-	-	127	162	AG306	12.25	6	10.5	25	27	16.75	25.88	13.5	7.5	21.75
	-	-	-	21	15	-	-	-	58	73		311	152	267	635	686	425	657	343	190	552
AG820-25-26-10.5A	-	-	-	85	75	-	-	-	156	191	AG308	14.25	8	10.5	25	27	19.5	25.88	13.5	9.5	21.75
	-	-	-	26	23	-	-	-	71	87		362	204	267	635	686	495	657	434	241	552
AG820-30-31-10.5A	-	-	-	-	100	-	-	-	162	197	AG308	14.25	8	10.5	28.5	30.5	19.5	31.38	17	9.5	25.25
	-	-	-	-	30	-	-	-	73	89		362	204	267	724	775	495	797	432	241	641
AG820-30-31-15.5A	-	-	-	100	-	-	-	-	170	205	AG308	14.25	8	15.5	28.5	30.5	19.5	31.38	17	9.5	25.25
	-	-	-	30	-	-	-	-	77	93		362	204	394	724	775	495	797	432	241	641
AG920-25-26A	-	-	-	-	-	50	40	152	187	AG308	14.25	8	10.5	25	27	24	25.88	13.5	9.5	21.75	
	-	-	-	-	-	15	12	69	85		362	204	267	635	686	614	657	343	241	552	
AG922-30-31A	-	-	-	-	-	75	50	181	216	AG310	16.25	10	10.5	28.5	30.5	26	31.38	17	11.5	25.25	
	-	-	-	-	-	23	15	82	98		413	254	267	724	775	660	797	432	292	641	

Notes:

A hose stop is necessary to keep spring from unwinding.

- Specifications subject to change.
- Reel models and capacities shown are for standard drag applications; for vertical lift applications, consult factory.

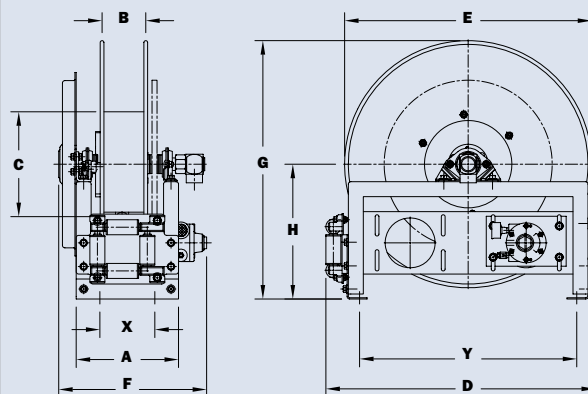
3. Other sizes, from standard components, available on request.

4. Finish: Refer to page 3.

5. Be sure to check dimensions and weights prior to ordering.

NOTICE: A flexible connector must be used between the inlet pipe and the inlet swivel joint.

*** X, Y indicate mounting holes. See page 5.



AG800 shown

Available Roller Positions



SR (STD)



VR (OPT)



TR (OPT)



TR (Wallmount)

Series N400

• Gas Welding

To handle twin 1/4" or 3/8" I.D. welding hose.

- Heavy-duty spring motor.
- Non-sparking ratchet assembly.
- Declutching arbor to prevent damage from reverse winding.
- Standard inlets: 90° ball bearing swivel joints, 1/2" female NPT threads.
- Standard outlets: male 9/16"-18 threads, right-hand for oxygen, left-hand for gas.
- Pressures to 300 psi (21 bar).
- Temperatures from -40°F to +200°F (-40°C to +93°C).
- Type of gas used must be specified.
- Hose stop is required.
- 4-way roller assembly.



Standard configuration shown

PARTS DRAWING – ISO 186

Model Number	Hose Capacity of Reel feet m			Approx. Weight lb. kg		Standard Roller Assy.	Reel Dimensions*** in. mm							
	I.D. in. mm	1/4 6	3/8 9	NET	SHIP		A	B	C	E	F	G	H	X
	O.D. in. mm	.53 13	.66 17											
N416-17-18-8L	2/50	-	-	64	69*	N204	10	4	8	19.5	15.12	17.5	9.13	8
	2/15	-	-	29	31		254	102	203	495	368	445	232	203
N416-19-20-8L	-	2/50	-	68	74*	N204	10	4	8	20.75	15.12	20	10.62	8
	-	2/15	-	31	34		254	102	203	527	368	508	270	203
N416-19-20-10.5C	2/25	2/25	-	70	77*	N204	10	4	10.5	20.75	15.12	20	10.62	8
	2/8	2/8	-	32	35		254	102	267	527	368	508	270	203
N416-19-20-8J	2/50	2/50	-	74	80*	N204	10	4	8	20.75	15.12	20	10.62	8
	2/15	2/15	-	34	36		254	102	203	527	368	508	270	203
N417-23-24-10.5G	2/75	2/75	-	94	111*	N205	11	5	10.5	23.75	16.12	24	12.62	9
	2/23	2/23	-	43	50		279	127	267	603	394	610	320	229
N417-25-26-10.5G	2/100	2/100	-	97	132	N205	11	5	10.5	25.75	16.12	26	13.62	9
	2/30	2/30	-	43	52		279	127	267	641	394	660	346	229

Notes:

A hose stop is necessary to keep spring from unwinding.

1. Specifications subject to change.
2. Reel models and capacities shown are for standard drag applications; for vertical lift applications, consult factory.
3. Other sizes, from standard components, available on request.
4. Finish: Refer to page 3.

5. Be sure to check dimensions and weights prior to ordering.

NOTICE: A flexible connector must be used between the inlet pipe and the inlet swivel joint.

* When shipped as a parcel package (via FedEx or UPS Ground), joints loose. Net weight plus carton weight.

*** X, Y indicate mounting holes. See page 5.

Available Roller Positions



SR (STD)



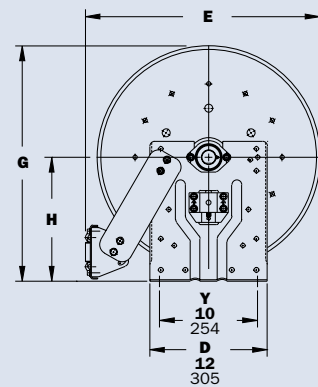
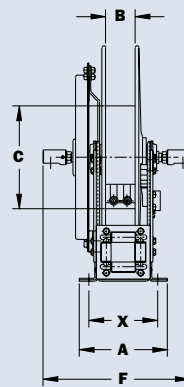
VR (OPT)



TR (OPT)



TR (Wallmount)



High Pressure | Series N500

• Chassis Grease • Hydraulics • Air/Water

To handle single 1/4" or 3/8" I.D. hose.

- Compact frame and narrow base.
- Non-sparking ratchet assembly.
- Declutching arbor to prevent damage from reverse winding.
- Standard inlet: 90° swivel joint, 1/4" female NPT threads. 3/8" female NPT threads are optional and **must be specified**.
- Standard outlet: 1/4" female NPT threads. 3/8" female NPT threads are optional and **must be specified**.
- Other threads can be furnished and **must be specified**.
- Standard 1/4" pressure and temperature: 10,000 psi (690 bar), -40°F to +250°F (-40°C to +121°C).
- Standard 3/8" pressure and temperature: 3000 psi (207 bar), -40°F to +250°F (-40°C to +121°C).
- Optional 3/8" pressure: 8000 psi (552 bar) – must specify.
- 4-way roller assembly.
- SR and VR roller positions: swivel joint is standard on the right. TR roller positions: swivel joint is standard on the left. Other configurations available, must specify.
- Constant tension is available – consult factory.



Standard configuration shown with optional full-flow swivel joint



Optional Swivel Mounting Bracket

Part No. 9908.9990.

For N-Series spring retractable reels, available as a kit. Conditions apply, consult factory.

PARTS DRAWING – ISO 92

Model Number	Hose Capacity of Reel feet m			Approx. Weight lb. kg			Standard Roller Assy.	Reel Dimensions*** in. mm							
	I.D. in. mm	1/4 6	3/8 10	NET	UPS/ FedEx SHIP Wt.	Freight SHIP Wt.		A	B	C	E	F	G	H	X
	O.D. in. mm	5/8 16	3/4 19					9	3	8	17.62	10.12	16.25	9.12	7
N515-14-16-8L	25	25	48	64*	83	N203	9	3	8	17.62	10.12	16.25	9.12	7	
	8	8	22	29	38		229	76	203	448	257	413	232	178	
N515-16-17-10.5C	35	35	51	67*	86	N203	9	3	10.5	18.5	10.12	17	9.12	7	
	11	11	23	30	39		229	76	267	470	257	432	232	178	
N515-19-20-10.5J	50	50	63	81*	98	N203	9	3	10.5	20.75	10.12	20	10.62	7	
	15	15	29	37	44		229	76	267	527	257	508	270	178	
N515-23-24-15.5J	75	65	75	92*	110	N203	9	3	15.5	23.75	10.12	24	12.62	7	
	23	20	34	42	50		229	76	394	603	257	610	321	178	
N516-25-26-15.5B	75	75	90	--	125	N204	10	4	15.5	25.25	11.12	26	13.62	8	
	23	23	34	--	57		254	102	394	641	282	660	346	203	

Notes:

A hose stop is necessary to keep spring from unwinding.

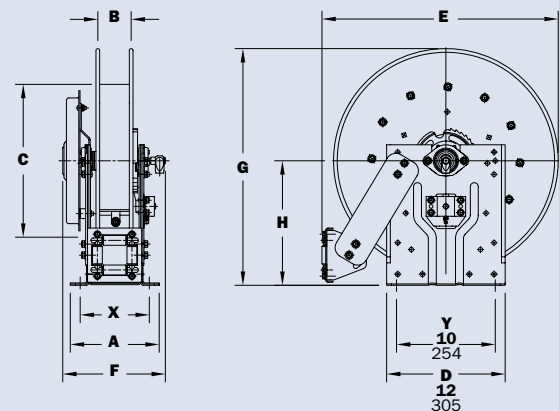
1. Specifications subject to change.
2. Reel models and capacities shown are for standard drag applications; for vertical lift applications, consult factory.
3. Other sizes, from standard components, available on request.
4. **Finish:** Refer to page 3.

5. Be sure to check dimensions and weights prior to ordering.

NOTICE: A flexible connector must be used between the inlet pipe and the inlet swivel joint.

* Dimensional weight may apply when shipped as a parcel package (via FedEx or UPS Ground).

*** X, Y indicate mounting holes. See page 5.



Available Roller Positions



SR (STD)



VR (OPT)



TR (OPT)



TR (Wallmount)

Series N600 | Dual Hose

• Hydraulics • Spray Painting • Air/Water

To handle dual 1/4" through 1/2" I.D. hose.

- Narrow frame and compact mounting base.
- Non-sparking ratchet assembly.
- Declutching arbor to prevent damage from reverse winding.
- Standard inlets: 90° balanced pressure swivel joints, 1/2" female NPT threads.
- Standard outlets: 1/2" female NPT threads.
- Standard pressures to 3000 psi (207 bar), available up to 10,000 psi (690 bar) – must specify.
- Temperatures from -60°F to +250°F (-51°C to +121°C), optional temperatures to +400°F (+204°C) – must specify.
- 4-way roller assembly.
- SR and VR roller positions: swivel joint is standard on the right. TR roller positions: swivel joint is standard on the left. Other configurations available, must specify.
- Constant tension is available – consult factory.
- Reels for use with oxygen/acetylene. See Series N400 on page 8.
- Optional full flow swivel joint is available upon request. Add 1-3/4" to "F" dimension.



Standard configuration shown

PARTS DRAWING – ISO 80

Model Number	Hose Capacity of Reel feet m				Approx. Weight lb. kg			Standard Roller Assy.	Reel Dimensions*** in. mm							
	I.D. in. mm	1/4 6	3/8 10	1/2 13	NET	UPS/ FedEx SHIP Wt.	Freight SHIP Wt.		A	B	C	E	F	G	H	X
	O.D. in. mm	5/8 16	3/4 19	7/8 22												
N615-19-20-10.5C	2/35	2/35	2/20	63	74*	98	N203	9	3	10.5	20.75	11.75	20	10.62	7	
	2/11	2/11	2/6	29	34	44		229	76	267	527	298	508	270	178	
N617-19-20-10.5J	2/50	2/50	2/25	66	84*	101	N205	11	5	10.5	20.75	13.75	20	10.62	9	
	2/15	2/15	2/8	30	38	46		279	127	267	527	349	508	270	229	
N615-23-24-10.5B	2/65	2/60	2/30	87	104*	122	N203	9	3	10.5	23.75	11.75	24	12.62	7	
	2/20	2/18	2/9	40	47	55		229	76	267	603	298	610	321	178	
N617-25-26-15.5B	2/75	2/75	2/50	93	-	128	N205	11	5	15.5	25.25	13.75	26	13.62	9	
	2/23	2/23	2/15	42	-	58		279	127	394	641	349	660	346	229	
N617-25-26-15.5A	2/100	2/85	-	120	-	155	N205	11	5	15.5	25.25	14.5	26	13.62	9	
	2/31	2/26	-	54	-	70		279	127	394	641	368	660	346	229	

Notes:

A hose stop is necessary to keep spring from unwinding.

1. Specifications subject to change.
2. Reel models and capacities shown are for standard drag applications; for vertical lift applications, consult factory.
3. Other sizes, from standard components, available on request.
4. Finish: Refer to page 3.

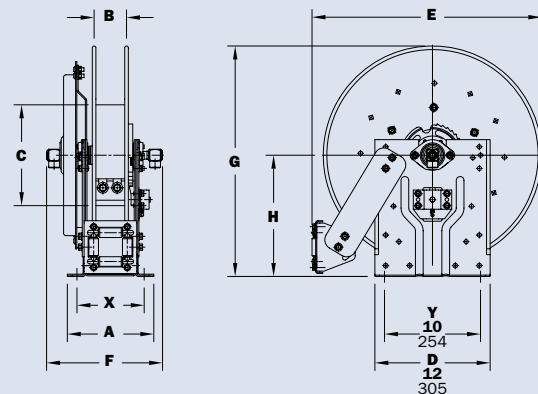
5. Be sure to check dimensions and weights prior to ordering.

NOTICE: A flexible connector must be used between the inlet pipe and the inlet swivel joint.

*Dimensional weight may apply when shipped as a parcel package (via FedEx or UPS Ground).

*** X, Y indicate mounting holes. See page 5.

For hydraulic tool circuit applications, full flow swivels with Viton® seals are recommended (add 1.75 to "F" dimension in chart).



Available Roller Positions



SR (STD)



VR (OPT)



TR (OPT)



TR (Wallmount)

Dual Hose | Series 600

• Hydraulics • Spray Painting • Air/Water

To handle dual 1/4" through 3/4" I.D. hose.

- Rollformed channel frame for heavy-duty applications.
- Non-sparking ratchet assembly.
- Declutching arbor to prevent damage from reverse winding.
- Standard inlets: 90° balanced pressure swivel joints, 1/2" female NPT threads (1" inlet available). Must be specified.
- Standard outlets: 1/2" female NPT threads (3/4" outlet available). Must be specified.
- Standard pressures to 3000 psi (207 bar), available up to 10,000 psi (690 bar) – must specify.
- Temperatures from -60°F to +250°F (-51°C to +121°C), optional temperatures to +400°F (+204°C) – must specify.
- 4-way roller assembly.
- Constant tension is available – consult factory.
- Reels for use with oxygen/acetylene. See Series N400 on page 8.
- Optional full flow swivel joint is available upon request. Add 1-3/4" to "F" dimension.



Standard configuration shown

PARTS DRAWING – ISO 8

Model Number	Hose Capacity of Reel feet m					Approx. Weight lb. kg		Standard Roller Assy.	Reel Dimensions*** in. mm									
	I.D. in. mm	1/4 6	3/8 10	1/2 13	3/4 19	NET	SHIP		A	B	C	D	E	F	G	H	X	Y
	O.D. in. mm	5/8 16	3/4 19	7/8 22	1-9/32 33				8.25 210	3 76	10.5 267	23.25 591	24.38 619	13 330	23.88 607	12.5 318	3.5 89	20 508
615-23-24-10.5B		2/65	2/60	2/30	-	70	105	R203	8.25	3	10.5	23.25	24.38	13	23.88	12.5	3.5	20
		2/20	2/18	2/9	-	32	48		210	76	267	591	619	330	607	318	89	508
617-25-26-15.5B		2/75	2/75	2/50	-	93	128	R205	10.25	5	15.5	25	26.12	15	25.88	13	5.5	21.75
		2/23	2/23	2/15	-	42	58		260	127	394	635	663	381	657	343	140	552
617-25-26-15.5A		2/100	2/85	-	-	120	155	R205	10.25	5	15.5	25	26.12	15.75	25.88	13.5	5.5	21.75
		2/31	2/26	-	-	54	70		260	127	394	635	663	400	657	343	140	552
†618-30-31-15.5A		-	-	2/100	2/50	130	165	R206	11.25	6	15.5	28.5	29.62	16.75	31.88	17	6.5	25.25
		-	-	2/31	2/15	59	75		286	152	394	724	752	425	797	432	165	641

Notes:

A hose stop is necessary to keep spring from unwinding.

1. Specifications subject to change.
2. Reel models and capacities shown are for standard drag applications; for vertical lift applications, consult factory.
3. Other sizes, from standard components, available on request.
4. Finish: Refer to page 3.

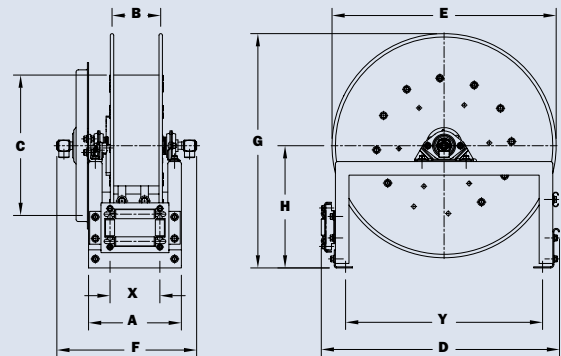
5. Be sure to check dimensions and weights prior to ordering.

NOTICE: A flexible connector must be used between the inlet pipe and the inlet swivel joint.

***X, Y indicate mounting holes. See page 5.

† Must specify if 1" joints and 3/4" outlet risers are required.

For hydraulic tool circuit applications, full flow swivels with Viton® seals are recommended (add 1.75 to "F" dimension in chart).



Available Roller Positions



SR (STD)



VR (OPT)



TR (OPT)



TR (Wallmount)

Series N700

- Lubrication • Air/Water • Assembly Operations
- Washdown • Air Tools • General Industrial Applications

To handle 1/4" through 1/2" I.D. hose.

- Narrow frame and compact mounting base.
- Non-sparking ratchet assembly.
- Declutching arbor to prevent damage from reverse winding.
- Standard inlet: 90° balanced pressure swivel joint, 1/2" female NPT threads.
- Standard outlet: 1/2" female NPT threads.
- Standard pressures to 3000 psi (207 bar), available up to 10,000 psi (690 bar) – must specify.
- Temperatures from -60°F to +250°F (-51°C to +121°C), optional temperatures to +400°F (+204°C) – must specify.
- 4-way roller assembly.
- SR and VR roller positions: swivel joint is standard on the right. TR roller positions: swivel joint is standard on the left. Other configurations available, must specify.
- Constant tension is available – consult factory.



Standard configuration shown



Optional Swivel Mounting Bracket

Part No. 9908.9990. For N-Series spring retractable reels, available as a kit. Conditions apply, consult factory.

PARTS DRAWING – ISO 79

Model Number	Hose Capacity of Reel feet m				Approx. Weight lb. kg			Standard Roller Assy.	Reel Dimensions*** in. mm							
	I.D. in.	1/4	3/8	1/2	NET	UPS/ FedEx SHIP Wt.	Freight SHIP Wt.		A	B	C	E	F	G	H	X
	mm	6	10	13												
N716-14-16-8C	-	25	25	52	64*	87	N204	10	4	8	17.62	11.25	16.25	9.12	8	
	-	8	8	24	29	39		254	102	203	448	286	413	232	203	
N716-16-17-10.5C	-	35	35	55	69*	90	N204	10	4	10.5	18.5	11.25	17	9.12	8	
	-	11	11	25	31	41		254	102	267	470	286	432	232	203	
†N716-17-18-8L	-	50†	50†	55	68*	90	N204	10	4	8	19.5	11.25	17.5	9.12	8	
	-	15†	15†	25	31	41		254	102	203	495	286	445	232	203	
N716-19-20-10.5J	-	50	50	64	82*	99	N204	10	4	10.5	20.75	11.25	20	10.62	8	
	-	15	15	29	37	45		254	102	267	527	286	508	270	203	
N716-23-24-15.5J	-	65	65	79	94*	114	N204	10	4	15.5	23.75	11.25	24	12.62	8	
	-	20	20	36	43	52		254	102	394	603	286	610	321	203	
N716-23-24-15.5G	100	75	65	94	101*	129	N204	10	4	15.5	23.75	11.25	24	12.62	8	
	30	23	20	43	46	59		254	102	394	603	286	610	321	203	
N716-25-26-15.5B	-	75	75	90	-	125	N204	10	4	15.5	25.25	11.25	26	13.62	8	
	-	23	23	41	-	57		254	102	394	641	286	660	346	203	
N718-25-26-15.5G	-	100	100	96	-	131	N206	12	6	15.5	25.25	13.25	26	13.62	10	
	-	30	30	44	-	59		305	152	394	641	337	660	346	254	

Notes:

A hose stop is necessary to keep spring from unwinding.

1. Specifications subject to change.
2. Reel models and capacities shown are for standard drag applications; for vertical lift applications, consult factory.
3. Other sizes, from standard components, available on request.
4. **Finish:** Refer to page 3.

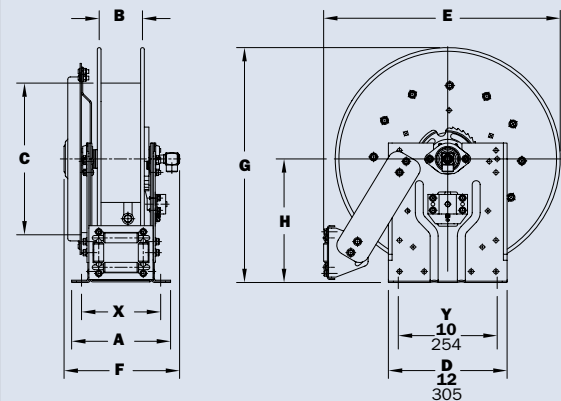
5. Be sure to check dimensions and weights prior to ordering.

NOTICE: A flexible connector must be used between the inlet pipe and the inlet swivel joint.

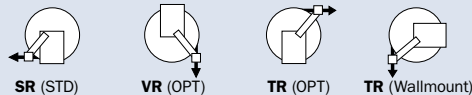
*Dimensional weight may apply when shipped as a parcel package (via FedEx or UPS Ground).

***X, Y indicate mounting holes. See page 5.

†Capacity based on low pressure air hose only. Not for vertical lift applications.



Available Roller Positions



Series 700

- Lubrication • Air/Water • Assembly Operations
- Washdown • Air Tools • General Industrial Applications

To handle 1/4" through 1/2" I.D. hose.

- Rollformed channel frame for heavy-duty applications.
- Non-sparking ratchet assembly.
- Declutching arbor to prevent damage from reverse winding.
- Standard inlet: 90° balanced pressure swivel joint, 1/2" female NPT threads.
- Standard outlet: 1/2" female NPT threads.
- Standard pressures to 3000 psi (207 bar), available up to 10,000 psi (690 bar) – must specify.
- Temperatures from -60°F to +250°F (-51°C to +121°C), optional temperatures to +400°F (+204°C) – must specify.
- 4-way roller assembly.
- SR and VR roller positions: swivel joint is standard on the right. TR roller positions: swivel joint is standard on the left. Other configurations available, must specify.
- Constant tension is available – consult factory.



Standard configuration shown

PARTS DRAWING – ISO 66

Model Number	Hose Capacity of Reel feet m				Approx. Weight lb. kg			Standard Roller Assy.	Reel Dimensions*** in. mm									
	I.D. in. mm	1/4 6	3/8 10	1/2 13	NET	UPS/ FedEx SHIP Wt.	Freight SHIP Wt.		A	B	C	D	E	F	G	H	X	Y
	O.D. in. mm	5/8 16	3/4 19	7/8 22					9.25 235	4 102	15.5 394	23.25 591	24.38 619	12.75 324	23.88 607	12.5 318	4.5 114	20 508
716-23-24-15.5J	–	65	65	65	79	92*	114	R204	9.25	4	15.5	23.25	24.38	12.75	23.88	12.5	4.5	20
	–	20	20	20	36	42	52		235	102	394	591	619	324	607	318	114	508
716-23-24-15.5G	100	75	65	94	43	–	129	R204	9.25	4	15.5	23.25	24.38	12.75	23.88	12.5	4.5	20
	30	23	20	43	–	–	59		235	102	394	591	619	324	607	318	114	508
716-25-26-15.5B	–	75	75	90	–	125	R204	9.25	4	15.5	25	26.12	12.75	25.88	13.5	4.5	21.75	
	–	23	23	41	–	57		235	102	394	635	663	324	657	343	114	552	
718-25-26-15.5G	–	100	100	96	–	131	R206	11.25	6	15.5	25	26.12	14.75	25.88	13.5	6.5	21.75	
	–	30	30	44	–	59		286	152	394	635	663	375	657	343	165	552	
718-30-31-20D	–	150	125	127	–	162	R206	11.25	6	20	28.5	29.62	15.5	31.38	17	6.5	25.25	
	–	46	38	58	–	73		286	152	508	724	752	394	797	432	165	641	

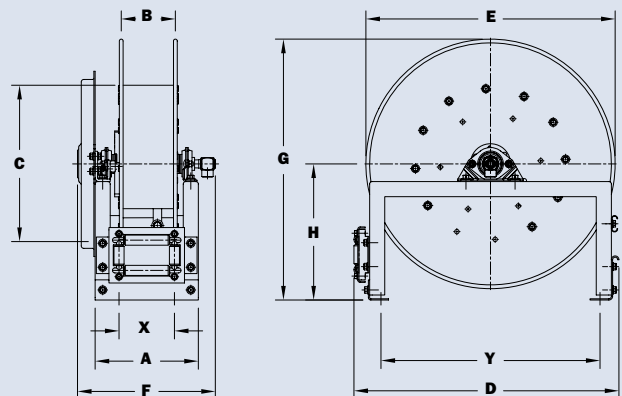
Notes:

A hose stop is necessary to keep spring from unwinding.

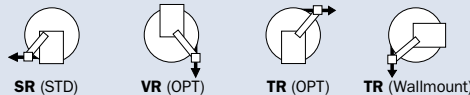
1. Specifications subject to change.
2. Reel models and capacities shown are for standard drag applications; for vertical lift applications, consult factory.
3. Other sizes, from standard components, available on request.
4. **Finish:** Refer to page 3.

5. Be sure to check dimensions and weights prior to ordering.

- NOTICE:** A flexible connector must be used between the inlet pipe and the inlet swivel joint.
 *Dimensional weight may apply when shipped as a parcel package (via FedEx or UPS Ground).
 *** X, Y indicate mounting holes. See page 5.



Available Roller Positions



Series N800

- Fuel Dispensing (Consult Factory)
- Waste Oil Evacuation • Air/Water

To handle 3/4" or 1" I.D. hose.

- Narrow frame and compact mounting base.
- Non-sparking ratchet assembly.
- Declutching arbor to prevent damage from reverse winding.
- Standard inlet: 90° balanced pressure swivel joint, 1" female NPT threads.
- Standard outlet: 1" female NPT threads.
- Standard pressures to 2000 psi (138 bar), available up to 6000 psi (414 bar) – must specify.
- Temperatures from -40°F to +250°F (-40°C to +121°C), optional temperatures to +400°F (+204°C) – must specify.
- 4-way roller assembly.
- SR and VR roller positions: swivel joint is standard on the right. TR roller positions: swivel joint is standard on the left. Other configurations available, must specify.
- Constant tension is available – consult factory.



Optional TR roller position shown

PARTS DRAWING – ISO 81

Model Number	Hose Capacity of Reel feet m			Approx. Weight lb. kg			Standard Roller Assy.	Reel Dimensions*** in. mm							
	I.D. in. mm	3/4 19	1 25	NET	UPS/ FedEx SHIP Wt.	Freight SHIP Wt.		A	B	C	E	F	G	H	X
	O.D. in. mm	1-9/32 33	1-1/2 38					10	4	10.5	20.75	13	20	10.62	8
N816-19-20-10.5J		25 8	15 5	75 34	83* 38	110 50	N204	10 254	4 102	10.5 267	20.75 527	13 330	20 508	10.62 270	8 203
†N818-23-24-10.5J		50† 15†	25† 8†	87 39	–	122 55	N206	12 305	6 152	10.5 267	23.75 603	15 381	24 610	12.62 321	10 254
N816-25-26-10.5B		60 18	35 11	96 44	–	131 59	N204	10 254	4 102	10.5 267	25.25 641	13 330	26 660	13.62 346	8 203
N818-25-26-10.5B		70 21	50 15	102 46	–	137 62	N206	12 305	6 152	10.5 267	25.25 641	15 381	26 660	13.62 346	10 254

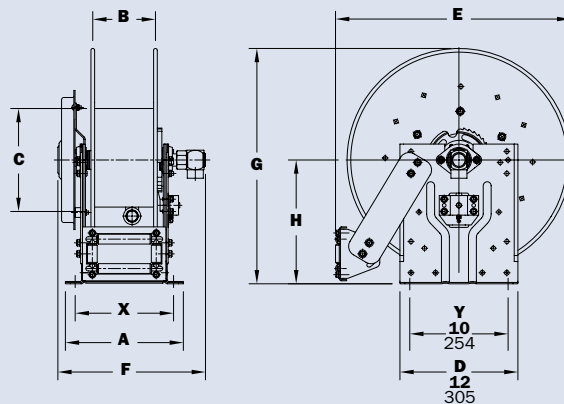
Notes:

A hose stop is necessary to keep spring from unwinding.

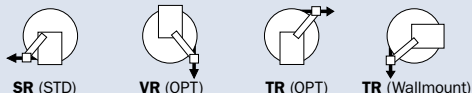
1. Specifications subject to change.
2. Reel models and capacities shown are for standard drag applications; for vertical lift applications, consult factory.
3. Other sizes, from standard components, available on request.
4. **Finish:** Refer to page 3.

5. Be sure to check dimensions and weights prior to ordering.

NOTICE: A flexible connector must be used between the inlet pipe and the inlet swivel joint.
*Dimensional weight may apply when shipped as a parcel package (via FedEx or UPS Ground).
*** X, Y indicate mounting holes. See page 5.
†Capacity based on low pressure air hose only.



Available Roller Positions



Series 800

- Fuel Dispensing (Consult Factory)
- Waste Oil Evacuation • Air/Water

To handle 3/4" or 1" I.D. hose.

- Rollformed channel frame for heavy-duty applications.
- Non-sparking ratchet assembly.
- Declutching arbor to prevent damage from reverse winding.
- Standard inlet: 90° balanced pressure swivel joint, 1" female NPT threads.
- Standard outlet: 1" female NPT threads.
- Standard pressures to 2000 psi (138 bar), available up to 6000 psi (414 bar) – must specify.
- Temperatures from -40°F to +250°F (-40°C to +121°C), optional temperatures to +400°F (+204°C) – must specify.
- 4-way roller assembly.
- SR and VR roller positions: swivel joint is standard on the right. TR roller positions: swivel joint is standard on the left. Other configurations available, must specify.
- Constant tension is available – consult factory.



Standard configuration shown

PARTS DRAWING – ISO 42

Model Number	Hose Capacity of Reel feet m			Approx. Weight lb. kg		Standard Roller Assy.	Reel Dimensions*** in. mm									
	I.D. in. mm	3/4	1	NET	SHIP		A	B	C	D	E	F	G	H	X	Y
	O.D. in. mm	1-9/32	1-1/2				mm	mm	mm	mm	mm	mm	mm	mm	mm	mm
†818-23-24-10.5J	50†	25†	87	122	R206	11.25	6	10.5	23.25	24.38	15.5	23.88	12.5	6.5	20	
	15†	8†	39	55		286	152	267	591	619	394	607	318	165	508	
816-25-26-10.5B	60	35	96	131	R204	9.25	4	10.5	25	26.12	13.5	25.88	13.5	4.5	21.75	
	18	11	44	59		235	102	267	635	663	343	657	343	114	552	
818-25-26-10.5B	70	50	102	137	R206	11.25	6	10.5	25	26.12	15.5	25.88	13.5	6.5	21.75	
	21	15	46	62		286	152	267	635	663	394	657	343	165	552	
820-25-26-10.5A	85	75	131	166	R308	13.25	8	10.5	25	27	18.25	25.88	13.5	8.5	21.75	
	26	23	59	75		337	203	267	635	686	464	657	343	216	552	
820-30-31-10.5A	-	100	137	172	R308	13.25	8	10.5	28.5	30.5	18.25	31.38	17	8.5	25.25	
	-	30	62	78		337	203	267	724	775	464	797	432	216	641	
820-30-31-15.5A	100	-	145	180	R308	13.25	8	15.5	28.5	30.5	18.25	31.38	17	8.5	25.25	
	30	-	66	82		337	203	394	724	775	464	797	432	216	641	

Notes:

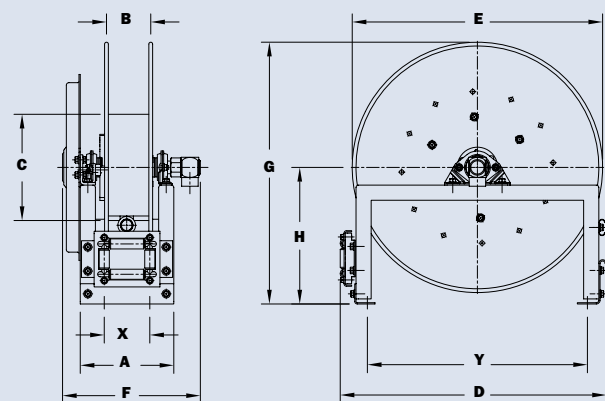
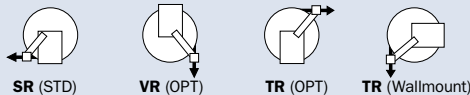
A hose stop is necessary to keep spring from unwinding.

- Specifications subject to change.
- Reel models and capacities shown are for standard drag applications; for vertical lift applications, consult factory.
- Other sizes, from standard components, available on request.
- Finish:** Refer to page 3.

5. Be sure to check dimensions and weights prior to ordering.

NOTICE: A flexible connector must be used between the inlet pipe and the inlet swivel joint.
*** X, Y indicate mounting holes. See page 5.
†Capacity based on low pressure air hose only.

Available Roller Positions



Series 900

- Bulk Transfer • Fuel Dispensing (Consult Factory)
- Suction/Discharge (Consult Factory)

To handle 1-1/4" or 1-1/2" I.D. hose.

- Rollformed channel frame construction.
- Non-sparking ratchet assembly.
- Declutching arbor to prevent damage from reverse winding.
- Standard inlet: 90° swivel joint, 1-1/2" female NPT threads, and 2" Victaulic® groove.
- Standard outlet: 1-1/2" female NPT threads.
- Standard pressures to 600 psi (41 bar).
- Temperatures from -25°F to +250°F (-32°C to +121°C).
- 4-way roller assembly.
- SR and VR roller positions: swivel joint is standard on the right. TR roller positions: swivel joint is standard on the left. Other configurations available, must specify.
- Constant tension is available – consult factory.



Standard configuration shown

PARTS DRAWING – ISO 29

Model Number	Hose Capacity of Reel			Approx. Weight		Standard Roller Assy.	Reel Dimensions***								
	feet m			lb. kg			in. mm								
	I.D. in. mm	1-1/4 32	1-1/2 38	NET	SHIP		A	B	D	E	F	G	H	X	Y
922-23-24B	40	25	104	139	R310	15.25	10	23.25	25.25	24	23.88	12.5	10.5	20	
	12	8	47	63		387	254	591	641	610	607	318	267	508	
920-25-26A	50	40	127	162	R308	13.25	8	25	27	22.75	25.88	13.5	8.5	21.75	
	15	12	58	73		337	203	635	686	578	657	343	216	552	
922-30-31A	75	50	156	191	R310	15.25	10	28.5	30.5	24.75	31.38	17	10.5	25.25	
	23	15	71	87		387	254	724	775	629	797	432	267	641	

Notes:

A hose stop is necessary to keep spring from unwinding.

1. Specifications subject to change.
2. Reel models and capacities shown are for standard drag applications; for vertical lift applications, consult factory.
3. Other sizes, from standard components, available on request.
4. **Finish:** Refer to page 3.

5. Be sure to check dimensions and weights prior to ordering.

NOTICE: A flexible connector must be used between the inlet pipe and the inlet swivel joint.

*** X, Y indicate mounting holes. See page 5.

Available Roller Positions



SR (STD)



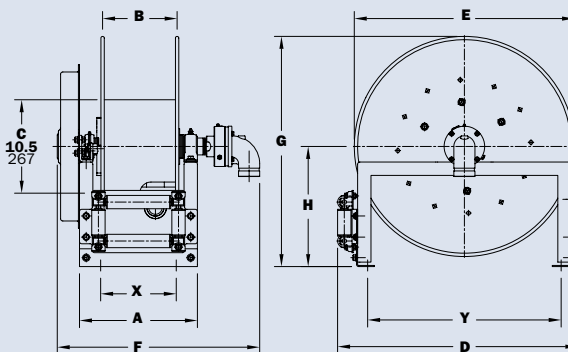
VR (OPT)



TR (OPT)



TR (Wallmount)



Series 1000

- Pressure Washing • Washdown
- Spray Operations • Air

To handle single 1/4", 3/8" or 1/2" I.D. hose.

- Lightweight, compact with an e-coated frame.
- Direct crank rewind permanently attached.
- Adjustable cam-lock brake standard.
- Exterior mounting holes for easier installation.
- Redesigned (and field installable) pin lock.
- Standard inlet: 90° ball bearing swivel joint, 1/2" female NPT threads.
- Standard outlet: 3/8" female NPT threads, 1/2" available upon request.
- Standard pressures to 3000 psi (207 bar), available up to 5,000 psi (345 bar) – must specify.
- Temperatures from +20°F to +400°F (-7°C to +204°C).



Standard configuration shown with optional pin lock

PARTS DRAWING – ISO 165

Model Number	Hose Capacity of Reel feet m				Approx. Weight Crank Rewind lb. kg			Reel Dimensions*** in. mm			
	I.D. in.	1/4	3/8	1/2	NET	UPS/ FedEx SHIP Wt.	Freight SHIP Wt.	A	B	F	X
	mm	6	10	13							
1014-14-16		100	75	40	23	42*	58	11.5	6	19.25	10
		31	23	12	10	19	26	292	152	489	254
1016-14-16		150	100	70	24	42*	59	13.5	8	21.25	12
		46	31	21	11	19	27	343	203	540	305
1020-14-16		250	175	100	25	42*	60	17.5	12	25.25	16
		76	53	30	11	19	27	445	305	641	406

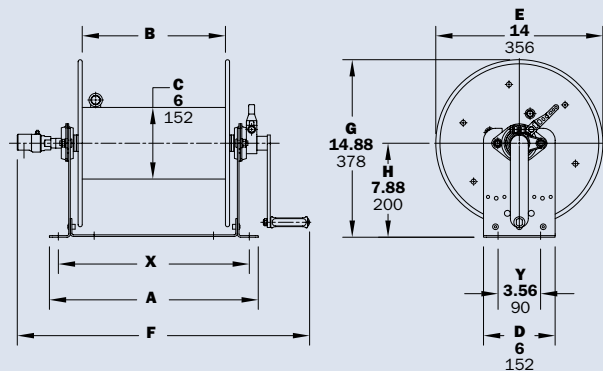
Notes:

1. Specifications subject to change.
2. Other sizes, from standard components, available on request.
3. **Finish:** Refer to page 3.
4. **Be sure to check dimensions and weights prior to ordering.**

NOTICE: A flexible connector must be used between the inlet pipe and the inlet swivel joint.

* Dimensional weight may apply when shipped as a parcel package (via FedEx or UPS Ground).

*** X, Y indicate mounting holes. See page 5.



Series 1500

- Lawn Care • Pest Control • Pressure Washing
- Agriculture • Steam Cleaning

To handle single 3/8" through 5/8" I.D. hose.

- Lightweight, compact reels designed for long lengths of hose in manual and power rewind.
- Manual rewind reels include: cam-lock drag brake, spring actuated pin lock and direct crank rewind.
- Power rewind reels include: chain and sprocket drive powered by electric, hydraulic or air motor.
- Standard inlet: 90° ball bearing swivel joint, 1/2" female NPT threads.
- Standard outlet: 1/2" female NPT threads.
- Standard pressures to 3000 psi (207 bar), available up to 10,000 psi (690 bar) – must specify.
- Temperatures from +20°F to +400°F (-7°C to +204°C).
- Rollers and roller mounting brackets are accessory items. Specify roller position.



Electric Rewind
Standard configuration shown



Optional External Mounting Brackets

Part No. 9906.0027.
Add 2-1/2" to the X dimensions shown in the chart.

PARTS DRAWING – ISO 90 (POWER); ISO 179 (MANUAL)

Model Number <small>For power rewind see Note 5</small>	Hose Capacity of Reel feet m				Approx. Weight Crank Rewind lb. kg <small>see Note 3</small>			Reel Dimensions*** in. mm						
	I.D. in. mm	3/8 10	1/2 13	5/8 16	NET	UPS/ FedEx SHIP Wt.	Freight SHIP Wt.	A	B	E CRANK	E POWER	F CRANK	F POWER	X
	O.D. in. mm	3/4 19	7/8 22	1 25										
1514-17-18		125 38	75 23	50 15	27 12	65* 30	62 28	11 279	6 152	16.5 419	19 483	19.25 489	16.5 419	9.5 241
1520-17-18		275 84	175 53	125 38	29 13	80* 36	64 29	17 432	12 305	16.5 419	19 483	25.25 641	22.5 572	15.5 394
1526-17-18		400 122	300 91	200 61	31 14	98* 45	66 30	23 584	18 457	16.5 419	19 483	31.25 794	28.5 724	21.5 546
1530-17-18		500 152	375 114	275 84	33 15	110* 50	68 31	27 686	22 559	16.5 419	19 483	35.25 895	32.5 826	25.5 648
1536-17-18		- -	475 145	350 107	35 16	129* 59	70 32	33 838	28 711	16.5 419	19 483	41.25 1048	38.5 978	31.5 800

Notes:

- Specifications subject to change.
- Upon request, reels can be supplied with drum lengths other than shown.
- Weights shown in chart are for crank rewind models. ADD these amounts for power rewind models (does not apply to FedEx or UPS):

	Net lbs/kg	Ship lbs/kg
Electric	18/8.2	18/8.2
Hydraulic	15/6.8	15/6.8
Air	15/6.8	15/6.8

- Dimension "F" is the overall length of standard model reels.
- When ordering power rewind models, prefix model number with:
 - A** = Air Rewind – Supplied with control valve and 18" air hose.

E = Electric Rewind – 12v and 24v DC rewind reels are supplied with switch and solenoid; 115v AC rewind reels are not supplied with switch but can be ordered separately.

HD = Hydraulic Rewind – Not supplied with control valve.

6. Manual rewind available in RT or LB configurations only.

7. **Finish:** Refer to page 3.

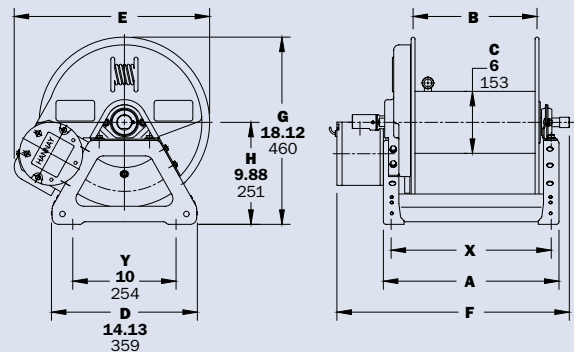
8. **Be sure to check dimensions and weights prior to ordering.**

9. Some roller options may prohibit the use of our molded chain guard.

NOTICE: A flexible connector must be used between the inlet pipe and the inlet swivel joint.

* Dimensional weight applies when shipped as a parcel package (via FedEx or UPS Ground).

*** X, Y indicate mounting holes. See page 5.



Electric rewind shown

Series 1800

• Air Compressors • Washdown

To handle single 5/8" or 3/4" I.D. hose.

- Lightweight, compact reels designed for long lengths of hose in manual and power rewind.
- Manual rewind reels include: cam-lock drag brake, spring actuated pin lock and direct crank rewind.
- Power rewind reels include: chain and sprocket drive powered by electric, hydraulic or air motor.
- Standard inlet: 90° ball bearing swivel joint, 1" female NPT threads.
- Standard outlet: 3/4" female NPT threads.
- Standard pressures to 2000 psi (138 bar), available up to 4000 psi (276 bar) – must specify.
- Temperatures from -40°F to +250°F (-40°C to +121°C).
- Rollers and roller mounting brackets are accessory items. Specify roller position.



Electric rewind
Standard configuration shown



Optional External Mounting Brackets

Part No. 9906.0027.
Add 2-1/2" to the X dimensions shown in the chart.

PARTS DRAWING – ISO 136 (POWER); ISO 180 (MANUAL)

Model Number <small>For power rewind see Note 5</small>	Hose Capacity of Reel feet m			Approx. Weight Crank Rewind lb. kg <small>see Note 3</small>			Reel Dimensions*** in. mm						
	I.D. in. mm	5/8 16	3/4 19	NET	UPS/ FedEx SHIP Wt.	Freight SHIP Wt.	A	B	E CRANK	E POWER	F CRANK	F POWER	X
	O.D. in. mm	1 25	1-9/32 40										
1816-17-18		75 23	50 15	28 13	80* 36	63 29	13 330	8 203	16.5 419	19 483	24.13 613	18.5 470	11.5 292
1822-17-18		150 46	100 30	30 14	98* 45	65 29	19 483	14 356	16.5 419	19 483	30.13 765	24.5 622	17.5 445
1826-17-18		200 61	125 38	32 15	98* 45	67 30	23 584	18 457	16.5 419	19 483	34.13 867	28.5 724	21.5 546
1830-17-18		250 76	150 46	33 15	110* 50	68 31	27 686	22 559	16.5 419	19 483	38.13 968	32.5 826	25.5 648
1836-17-18		300 91	200 61	36 16	129* 59	71 32	33 838	28 711	16.5 419	19 483	44.13 1121	38.5 978	31.5 800

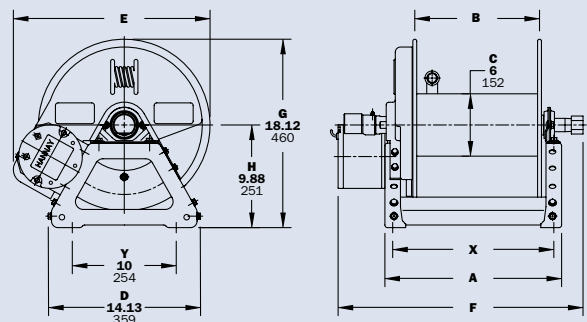
Notes:

1. Specifications subject to change.
2. Upon request, reels can be supplied with drum lengths other than shown.
3. Weights shown in chart are for crank rewind models. ADD these amounts for power rewind models (does not apply to FedEx or UPS):

	Net lbs/kg	Ship lbs/kg
Electric	18/8.2	18/8.2
Hydraulic	15/6.8	15/6.8
Air	15/6.8	15/6.8

4. Dimension "F" is the overall length of standard model reels.
5. When ordering power rewind models, prefix model number with:
 - A** = Air Rewind – Supplied with control valve and 18" air hose.

- E** = Electric Rewind – 12v and 24v DC rewind reels are supplied with switch and solenoid; 115v AC rewind reels are not supplied with switch but can be ordered separately.
 - HD** = Hydraulic Rewind – Not supplied with control valve.
 - 6. Manual rewind available in RT or LB configurations only.
 - 7. **Finish:** Refer to page 3.
 - 8. **Be sure to check dimensions and weights prior to ordering.**
 - 9. Some roller options may prohibit the use of our molded chain guard.
- NOTICE:** A flexible connector must be used between the inlet pipe and the inlet swivel joint.
* Dimensional weight applies when shipped as a parcel package (via FedEx or UPS Ground).
*** X, Y indicate mounting holes. See page 5.



Power rewind shown

Series 2000 | Dual Hose

• Hydraulics • Spray Painting • Air/Water

To handle dual 1/4" through 1/2" I.D. hose.

- Two swivel joint inlets and two outlet risers to handle two equal lengths of hose.
 - Chain-driven crank rewind or chain and sprocket rewind powered by an electric or compressed air motor.
 - MX crank rewind reels have pinion brake as standard.
 - Power rewind reels are not supplied with a brake.
 - Standard inlets: 90° ball bearing swivel joints, 1/2" female NPT threads.
 - Standard outlets: 1/2" female NPT threads.
 - Standard pressures to 3000 psi (207 bar), available up to 10,000 psi (690 bar) – must specify.
 - Temperatures from +20°F to +400°F (-7°C to +204°C).
 - Reels for use with oxygen/acetylene.
- See Series 2400 Hannay Reels Welding Catalog H0408-W.



Electric rewind Standard configuration shown



Optional External Mounting Brackets

Part No. 9906.0027.
Add 2-1/2" to the X dimensions shown in the chart.

PARTS DRAWING – ISO 112

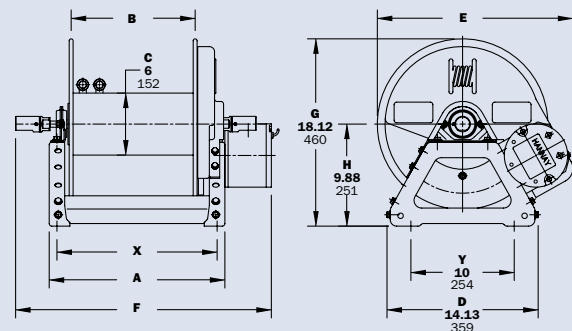
Model Number For power rewind see Note 5	Hose Capacity of Reel feet m				Approx. Weight Crank Rewind ³ lb. kg see Note 3			Reel Dimensions*** in. mm						
	I.D. in. mm	1/4 6	3/8 10	1/2 13	NET	UPS/ FedEx SHIP Wt.	Freight SHIP Wt.	A	B	E CRANK	E POWER	F CRANK	F POWER	X
	O.D. in. mm	5/8 16	3/4 19	7/8 22										
2016-17-18	2/100	2/75	2/50	32	80*	67	13	8	18.5	19	21	20	11.5	
	2/31	2/23	2/15	15	36	30	330	203	470	483	533	508	292	
2020-17-18	2/175	2/125	2/75	34	98*	69	17	12	18.5	19	25	24	15.5	
	2/53	2/38	2/23	15	45	31	432	305	470	483	635	610	394	
2026-17-18	2/275	2/200	2/125	36	110*	71	23	18	18.5	19	31	30	21.5	
	2/84	2/61	2/38	16	50	32	584	457	470	483	787	762	546	
2030-17-18	2/350	2/250	2/175	37	129*	72	27	22	18.5	19	35	34	25.5	
	2/107	2/76	2/53	17	59	33	686	559	470	483	889	864	648	
2036-17-18	2/425	2/300	2/225	39	129*	74	33	28	18.5	19	41	40	31.5	
	2/130	2/91	2/69	18	59	34	838	711	470	483	1041	1016	800	

Notes:

- Specifications subject to change.
- Upon request, reels can be supplied with drum lengths other than shown.
- Weights shown in chart are for crank rewind models. ADD these amounts for power rewind models (does not apply to FedEx or UPS):

	Net lbs/kg	Ship lbs/kg
Electric	18/8.2	18/8.2
Air	15/6.8	15/6.8
- Dimension "F" is the overall length of standard model reels. MX chain-drive crank models require 2" clearance to remove crank handle.
- When ordering power rewind models, prefix model number with:
 - A** = Air Rewind – Supplied with control valve and 18" air hose.

- E** = Electric Rewind – 12v and 24v DC rewind reels are supplied with switch and solenoid; 115v AC rewind reels are not supplied with switch but can be ordered separately.
- MX** = Chain-Driven Crank.
- 6. Finish:** Refer to page 3.
- 7. Be sure to check dimensions and weights prior to ordering.**
- Some roller options may prohibit the use of our molded chain guard.
- NOTICE:** A flexible connector must be used between the inlet pipe and the inlet swivel joint.
- * Dimensional weight applies when shipped as a parcel package (via FedEx or UPS Ground).
- *** X, Y indicate mounting holes. See page 5.



Power rewind shown

Dual Hose | Series **G2000**

• Hydraulics • Spray Painting • Air/Water

To handle dual 1/4" through 1/2" I.D. hose.

- Two swivel joint inlets and two outlet risers to handle two equal lengths of hose.
- Gear-driven crank rewind.
- Pinion brake as standard.
- Standard inlets: 90° ball bearing swivel joints, 1/2" female NPT threads.
- Standard outlets: 1/2" female NPT threads.
- Standard pressures to 3000 psi (207 bar), available up to 10,000 psi (690 bar) – must specify.
- Temperatures from +20°F to +400°F (-7°C to +204°C).
- For power rewind, see Series 2000, page 20.
- Reels for use with oxygen/acetylene.
See Series 2400 Hannay Reels Welding Catalog H0408-W.



Standard gear-driven crank rewind with optional finish shown



Optional External Mounting Brackets

Part No. 9906.0027.
Add 2-1/2" to the X dimensions shown in the chart.

PARTS DRAWING – ISO 205

Model Number	Hose Capacity of Reel feet m				Approx. Weight Crank Rewind lb. kg			Reel Dimensions*** in. mm			
	I.D. in. mm	1/4 6	3/8 10	1/2 13	NET	UPS/ FedEx SHIP Wt.	Freight SHIP Wt.	A	B	F	X
	O.D. in. mm	5/8 16	3/4 19	7/8 22							
G2016-17-18-8	2/75	2/50	2/35	40	80*	75	13	8	21	11.5	
	2/23	2/15	2/11	15	36	34	330	203	533	292	
G2020-17-18-8	2/125	2/100	2/50	42	98*	77	17	12	25	15.5	
	2/38	2/31	2/15	18	45	35	432	305	635	394	
G2026-17-18-8	2/200	2/150	2/100	44	110*	79	23	18	31	21.5	
	2/61	2/46	2/31	19	50	36	584	457	787	546	

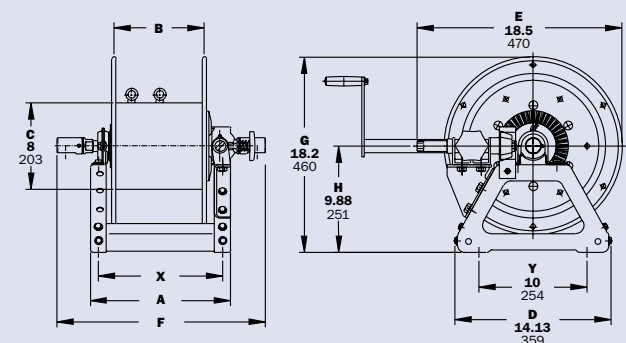
Notes:

1. Specifications subject to change.
2. Upon request, reels can be supplied with drum lengths other than shown.
3. **Finish:** Refer to page 3.
4. **Be sure to check dimensions and weights prior to ordering.**

NOTICE: A flexible connector must be used between the inlet pipe and the inlet swivel joint.

* Dimensional weight applies when shipped as a parcel package (via FedEx or UPS Ground).

*** X, Y indicate mounting holes. See page 5.



Series 3000

- Fuel Dispensing (Consult Factory) • Spray Operations
- Fire Protection

To handle 3/4" or 1" I.D. hose.

- Economical manual rewind reels for long lengths of hose.
- Choose disc rewind or removable direct crank rewind.
- Supplied with spring actuated pin lock.
- Standard inlet: 90° ball bearing swivel joint, 1" female NPT threads.
- Standard outlet: 1" female NPT thread.
- Standard: inlet, outlet riser, and hub assembly are steel.
Options: swivel joint also available in aluminum or stainless steel.
Riser and hub assembly also available in stainless steel.
- Standard pressures to 2000 psi (138 bar), available up to 4000 psi (276 bar) – must specify.
- Temperatures from -60°F to +250°F (-51°C to +121°C).
- Rollers and roller mounting brackets are accessory items. Specify roller position.



Standard configuration with crank handle shown



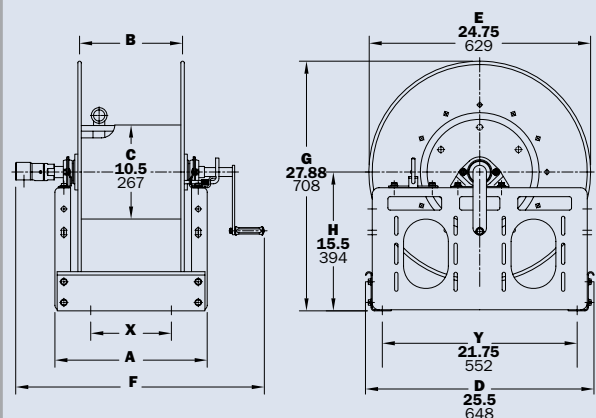
Optional Aluminum Hand Cart
4300-AL mounting available.

PARTS DRAWING – ISO 113

Model Number	Hose Capacity of Reel feet m			Approx. Weight Crank Rewind lb. kg		Reel Dimensions*** In. mm			
	I.D. in. mm	3/4 19	1 25	NET	SHIP	A	B	F	X
	O.D. in. mm	1-9/32 33	1-1/2 38						
3016-25-26	100	75	85	85	120	13	7.5	24.5	7.75
	30	23	39	39	54	330	191	622	197
3020-25-26	150	100	94	129		17	11.5	28.5	9
	46	30	43	59		432	292	724	229
3024-25-26	200	125	103	138		21	15.5	32.5	13
	61	38	47	63		533	394	826	330
3028-25-26	275	175	113	155		25.5	20	37	17.5
	84	53	51	70		648	508	940	445

Notes:

- Specifications subject to change.
- Upon request, reels can be supplied with drum lengths other than shown and with disc sizes in other diameters.
- Power rewind NOT available on these models.
- Dimension "F" is the overall length of standard model reels. For crank rewind models, 3-1/2" clearance is required to remove crank.
- Subtract 5" from "F" dimension for disc rewind models.
- Finish:** Call factory for offshore/marine finish, available at extra cost. Refer to page 3.
- Be sure to check dimensions and weights prior to ordering.**
NOTICE: A flexible connector must be used between the inlet pipe and the inlet swivel joint.
*** X, Y indicate mounting holes. See page 5.



Series 3500

- Fuel Dispensing (Consult Factory) • Bulk Transfer
- Fire Protection

To handle 1-1/4" or 1-1/2" I.D. hose.

- Economical manual rewind reels for long lengths of hose.
- Choose disc rewind or removable direct crank rewind.
- Supplied with spring actuated pin lock.
- Standard inlet: 90° ball bearing swivel joint, 1-1/2" female NPT threads, and 2" Victaulic® groove.
- Standard outlet: flanged riser with 1-1/2" female NPT threads.
- Standard: inlet, outlet riser, and hub assembly are steel. Options: also available in aluminum or stainless steel.
- Standard pressures to 600 psi (41 bar), available up to 1000 psi (69 bar) – must specify.
- Temperatures from -25°F to +250°F (-32°C to +121°C).
- Rollers and roller mounting brackets are accessory items. Specify roller position.



Standard configuration shown



Optional Aluminum Hand Cart

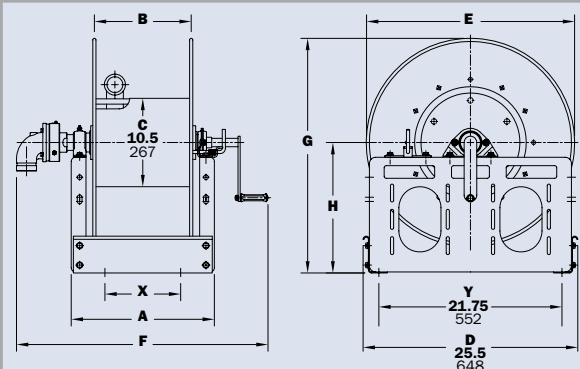
4300-AL mounting available.

PARTS DRAWING – ISO 111

Model Number	Hose Capacity of Reel feet m			Approx. Weight Crank Rewind lb. kg		Reel Dimensions*** in. mm						
	I.D. in. mm	1-1/4 32	1-1/2 38	NET	SHIP	A	B	E	F	G	H	X
	O.D. in. mm	1-13/16 46	2-1/16 52									
3520-25-26		75	50	104	139	17	11.5	24.75	30.75	27.88	15.5	9
		23	15	47	63	432	292	629	781	708	394	229
3524-25-26		100	75	113	157	21	15.5	24.75	34.75	27.88	15.5	13
		30	23	51	71	533	394	629	883	708	394	330
3528-25-26		150	100	123	173	25.5	20	24.75	39.25	27.88	15.5	17.5
		46	30	56	78	648	508	629	997	708	394	445
3524-30-31		150	100	124	174	21	15.5	28.75	34.75	29.88	15.5	13
		46	30	56	79	533	394	730	883	759	394	330
3528-30-31		200	150	134	184	25.5	20	28.75	39.25	29.88	15.5	17.5
		61	46	61	83	648	508	730	997	759	394	445
3534-30-31		-	200	147	197	31.5	26	28.75	45.25	29.88	15.5	23.5
		-	61	67	89	800	660	730	1149	759	394	597
3530-33-34		-	250	138	188	27.5	22	31.75	41.25	32.38	16.5	19.5
		-	76	63	85	699	559	806	1048	822	419	495

Notes:

- Specifications subject to change.
 - Upon request, reels can be supplied with drum lengths other than shown and with disc sizes in other diameters.
 - Power rewind NOT available on these models.**
 - Dimension "F" is the overall length of standard model reels. For crank rewind models, 3-1/2" clearance is required to remove crank.
 - Subtract 5" from "F" dimension for disc rewind models.
 - Finish:** Call factory for offshore/marine finish, available at extra cost. Refer to page 3.
 - Be sure to check dimensions and weights prior to ordering.**
- NOTICE:** A flexible connector must be used between the inlet pipe and the inlet swivel joint.
- *** X, Y indicate mounting holes. See page 5.



Series 4000

- Fuel Dispensing (Consult Factory) • Water Supply
- Fire Protection • Chemical Transfer

To handle single 3/4" or 1" I.D. hose.

- Lightweight, compact reels designed for long lengths of hose in manual and power rewind.
- Manual rewind reels include: cam-lock drag brake, spring actuated pin lock and removable direct crank rewind.
- Power rewind reels include: chain and sprocket drive powered by electric, hydraulic or air. Strap brake is standard.
- Standard inlet: 90° ball bearing swivel joint, 1" female NPT threads.
- Standard outlet: 1" female NPT threads.
- Standard pressures to 2000 psi (138 bar), available up to 4000 psi (276 bar) – must specify.
- Temperatures from -60°F to +250°F (-51°C to +121°C).
- Rollers and roller mounting brackets are accessory items. Specify roller position.



Electric rewind Standard configuration shown



Optional External Mounting Brackets

Part No. 9906.0027.
Add 2-1/2" to the X dimensions shown in the chart.

PARTS DRAWING – ISO 68

Model Number For power rewind see Note 5	Hose Capacity of Reel feet m			Approx. Weight Crank Rewind lb. kg see Note 3			Reel Dimensions*** in. mm						
	I.D. in. mm	3/4 19	1 25	NET	UPS/ FedEx SHIP Wt.	Freight SHIP Wt.	A	B	E CRANK	E POWER	F CRANK	F POWER	X
	O.D. in. mm	1-9/32 33	1-1/2 38										
4018-17-18	50 15	35 11	36 16	80* 36	71 32	15 381	10 254	16.5 419	19 483	27.75 705	20.5 521	13.5 343	
4024-17-18	100 30	50 15	46 21	98* 45	81 37	21 533	16 406	16.5 419	19 483	33.75 857	26.5 673	19.5 495	
4030-17-18	150 46	75 23	57 26	110* 50	92 42	27 686	22 559	16.5 419	19 483	39.75 1010	32.5 826	25.5 648	
4038-17-18	200 61	100 30	70 32	-	124 56	35 889	30 762	16.5 419	19 483	47.75 1213	40.5 1029	33.5 851	

Notes:

- Specifications subject to change.
- Upon request, reels can be supplied with drum lengths other than shown.
- Weights shown in chart are for crank rewind models. ADD these amounts for power rewind models (does not apply to FedEx or UPS):

	Net lbs/kg	Ship lbs/kg
Electric	18/8.2	18/8.2
Hydraulic	15/6.8	15/6.8
Air	15/6.8	15/6.8

- Dimension "F" is the overall length of standard model reels. Crank rewind reels require 3-1/2" clearance to remove or install crank handle.
- When ordering power rewind models, prefix model number with:

A = Air Rewind –
Supplied with control valve and 18" air hose.

E = Electric Rewind –
12v and 24v DC rewind reels are supplied with switch and solenoid; 115v AC rewind reels are not supplied with switch but can be ordered separately.

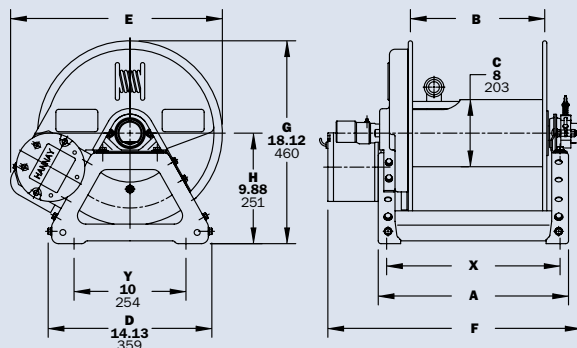
HD = Hydraulic Rewind –
Not supplied with control valve.

- Finish:** Refer to page 3.
- Be sure to check dimensions and weights prior to ordering.**
- Some roller options may prohibit the use of our molded chain guard.

NOTICE: A flexible connector must be used between the inlet pipe and the inlet swivel joint.

* Dimensional weight applies when shipped as a parcel package (via FedEx or UPS Ground).

*** X, Y indicate mounting holes. See page 5. (Also applies for external mounting brackets.)



Power rewind shown

Series 4100

- Fuel Dispensing (Consult Factory) • Water Supply
- Fire Protection • Chemical Transfer

To handle single 3/4" or 1" I.D. hose.

- Lightweight, compact reels designed for long lengths of hose in manual and power rewind.
- Manual rewind reels include: gear-driven crank rewind with removable handle and adjustable brake.
- Power rewind reels include: chain and sprocket drive powered by electric, hydraulic or air motor.
- Standard inlet: 90° ball bearing swivel joint, 1" female NPT threads.
- Standard outlet: 1" female NPT threads.
- Standard pressures to 2000 psi (138 bar), available up to 4000 psi (276 bar) – must specify.
- Temperatures from -60°F to +250°F (-51°C to +121°C).
- Rollers and roller mounting brackets are accessory items. Specify roller position.



Electric rewind with gear-driven crank rewind and optional finish shown

PARTS DRAWING – ISO 206

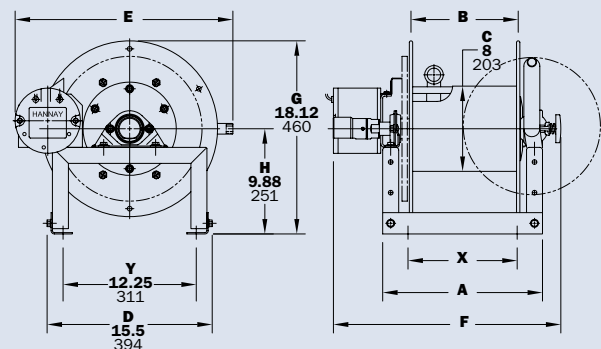
Model Number For power rewind see Note 5	Hose Capacity of Reel feet m			Approx. Weight Crank Rewind lb. kg see Note 3		Reel Dimensions*** in. mm					
	I.D. in. mm	3/4 19	1 25	NET	SHIP	A	B	E CRANK	E POWER	F	X
	O.D. in. mm	1-9/32 33	1-1/2 38								
4118-17-18		50 15	35 11	62 28	97 44	15 381	10 254	18 457	20.5 521	21.5 546	7.5 190
4124-17-18		100 30	50 15	72 33	107 49	21 533	16 406	18 457	20.5 521	27.5 699	13.5 343
4130-17-18		150 46	75 23	83 38	118 54	27 686	22 559	18 457	20.5 521	33.5 851	19.5 495
4138-17-18		200 61	100 30	96 44	131 59	35 889	30 762	18 457	20.5 521	41.5 1054	27.5 698

Notes:

- Specifications subject to change.
- Upon request, reels can be supplied with drum lengths other than shown.
- Weights shown in chart are for crank rewind models. ADD these amounts for power rewind models:

	Net lbs/kg	Ship lbs/kg
Electric	18/8.2	18/8.2
Hydraulic	15/6.8	15/6.8
Air	15/6.8	15/6.8
- Dimension "F" is the overall length of standard model reels.
- When ordering standard gear rewind models, prefix model number with:
G = Gear Rewind.

When ordering power rewind models, prefix model number with:
A = Air Rewind – Supplied with control valve and 18" air hose.
E = Electric Rewind – 12v and 24v DC rewind reels are supplied with switch and solenoid; 115v AC rewind reels are not supplied with switch but can be ordered separately.
HD = Hydraulic Rewind – Not supplied with control valve.
6. Finish: Refer to page 3.
7. Be sure to check dimensions and weights prior to ordering.
NOTICE: A flexible connector must be used between the inlet pipe and the inlet swivel joint.
 *** X, Y indicate mounting holes. See page 5.



Power rewind shown

Series 6000

- Fuel Dispensing (Consult Factory) • Fire Protection
- Spray Operations • Water Blasting* • Sewer Cleaning*

To handle single 1/2" through 1" I.D. hose.

- Heavy-duty reel for longer lengths of hose.
- Choose gear-driven crank rewind or chain and sprocket drive powered by an electric, hydraulic or compressed air motor.
- Crank rewind reels supplied with pinion brake; power rewind reels with a strap brake.
- Standard inlet: 90° ball bearing swivel joint, 1" female NPT threads.
- Standard outlet: 1" female NPT threads.
- Standard: inlet, outlet riser, and hub assembly are steel. Options: swivel joint also available in aluminum or stainless steel. Riser and hub assembly also available in stainless steel.
- Standard pressures to 2000 psi (138 bar), available up to 5000 psi (345 bar) – must specify.
- Temperatures from -60°F to +250°F (-51°C to +121°C).
- Rollers and roller mounting brackets are accessory items. Specify roller position.
- Consult factory for optional chain guard.

* Heavy-duty construction required for water blasting and sewer cleaning applications. Consult factory.



Electric rewind
Standard
configuration
shown



Optional Auxiliary Rewind

Ring and pinion shaft rewind unit with removable crank handle.



Optional Assembly
C2 roller top wind and
auxiliary rewind shown

Series 6000

- Fuel Dispensing (Consult Factory) • Fire Protection
- Spray Operations • Water Blasting* • Sewer Cleaning*

PARTS DRAWING – ISO 84

Model Number For power rewind see Note 5	Hose Capacity of Reel feet m				Approx. Weight Crank Rewind lb. kg see Note 4		Reel Dimensions*** In. mm									
	I.D. in. mm	1/2 13	3/4 19	1 25	NET	SHIP	A	B	D	E	F CRANK	F POWER	G	H	X	Y
	O.D. in. mm	7/8 22	1-9/32 33	1-1/2 38												
6024-19-21	200	100	60	85	85	127	21	15.5	20.5	18.75	25.38	28.5	21.5	12.12	13	16.75
	61	30	18	39	39	58	533	394	521	476	645	724	546	308	330	425
6032-19-21	325	175	85	102	144		29.5	24	20.5	18.75	33.88	37	21.5	12.12	21.5	16.75
	99	53	26	46	65		749	610	521	476	861	940	546	308	546	425
6024-23-24	400	150	125	92	134		21	15.5	20.5	22.75	25.38	28.5	23.5	12.12	13	16.75
	122	46	38	42	61		533	394	521	578	645	724	597	308	330	425
6030-23-24	-	225	200	105	147		27.5	22	20.5	22.75	31.88	35	23.5	12.12	19.5	16.75
	-	68	61	48	67		699	559	521	578	810	889	597	308	495	425
6038-23-24	-	300	250	120	162		35	29.5	20.5	22.75	39.38	42.5	23.5	12.12	27	16.75
	-	91	76	54	73		889	749	521	578	1000	1080	597	308	686	425
6016-25-26	250	100	75	88	130		13	7.5	25.5	24.75	17.38	20.5	27.88	15.5	7.75	21.75
	76	30	23	40	59		330	191	648	629	441	521	708	394	197	552
6022-25-26	450	175	125	100	142		19	13.5	25.5	24.75	23.38	26.5	27.88	15.5	11	21.75
	137	84	38	45	64		483	343	648	629	594	673	708	394	279	552
6028-25-26	-	275	175	113	155		25.5	20	25.5	24.75	29.88	33	27.88	15.5	17.5	21.75
	-	84	53	51	70		648	508	648	629	759	838	708	394	445	552
6018-30-31	400	200	150	101	151		15	9.5	25.5	28.75	19.38	22.5	29.88	15.5	7	21.75
	122	61	46	46	68		381	241	648	730	492	572	759	394	178	552
6024-30-31	-	350	250	113	163		21	15.5	25.5	28.75	25.38	28.5	29.88	15.5	13	21.75
	-	107	76	51	74		533	394	648	730	645	724	759	394	330	552
6028-30-31	-	-	300	121	171		25.5	20	25.5	28.75	29.88	33	29.88	15.5	17.5	21.75
	-	-	91	55	78		648	508	648	730	759	838	759	394	445	552
† 6028-33-34	-	-	400	129	179		25	20	31.5	31.75	29.62	32.75	33.62	17.75	17.5	27.75
	-	-	122	59	81		635	508	800	806	752	832	854	451	445	705

Notes:

- Specifications subject to change.
- Upon request, reels can be supplied with drum lengths other than shown and with disc sizes in other diameters.
- Dimensions shown for reels up to and including 30-31 disc size reflect pressed frames. All others are rollformed channel frames.
- Weights shown in chart are for crank rewind models. ADD these amounts for power rewind models.

	Net lbs/kg	Ship lbs/kg
Electric	40/18.1	40/18.1
Hydraulic	20/9.1	20/9.1
Air	20/9.1	20/9.1

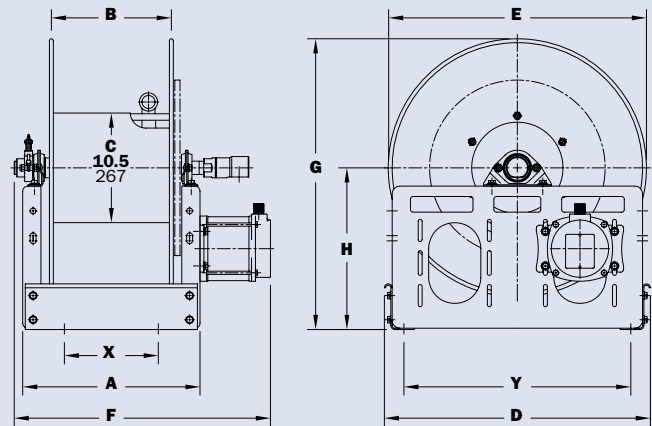
- When ordering power rewind models, prefix model number with:
 - A** = Air Rewind – Supplied with control valve and 18" air hose.
 - EP** = Electric Rewind (1/2 HP) – 12v and 24v DC rewind reels are supplied with switch and solenoid; 115v AC rewind reels are not supplied with switch but can be ordered separately.
 - HD** = Hydraulic Rewind – Not supplied with control valve.

- Finish:** Refer to page 3.
- Be sure to check dimensions and weights prior to ordering.**

NOTICE: A flexible connector must be used between the inlet pipe and the inlet swivel joint.

*** X, Y indicate mounting holes. See page 5.

† Some applications require a clutch/reduction unit.



Power rewind shown

Series 7000 | Dual Hose

• Hydraulics • Dual Agents

To handle dual 3/4" or 1" I.D. hose.

- Two swivel joint inlets and two outlet risers to handle two equal lengths of hose.
- Choose gear-driven crank rewind or chain and sprocket drive powered by an electric, hydraulic or compressed air motor. An auxiliary rewind is standard.
- Crank rewind and power rewind reels, pinion brake is standard.
- Standard inlets: 90° ball bearing swivel joints, 1" female NPT threads.
- Standard outlets: 1" female NPT threads.
- Standard: inlet, outlet riser, and hub assembly are steel. Options: swivel joint also available in aluminum or stainless steel. Riser and hub assembly also available in stainless steel.
- Standard pressures to 2000 psi (138 bar), available up to 5000 psi (345 bar) – must specify.
- Temperatures from -60°F to +250°F (-51°C to +121°C).
- Consult factory for optional chain guard.



Standard configuration shown

PARTS DRAWING – ISO 72

Model Number <small>For power rewind see Note 5</small>	Hose Capacity of Reel feet m			Approx. Weight Crank Rewind lb. kg <small>see Note 4</small>		Reel Dimensions*** in. mm									
	I.D. in. mm	3/4 19	1 25	NET	Freight SHIP Wt.	A	B	D	E	F CRANK	F POWER	G	H	X	Y
	O.D. in. mm	1-9/32 33	1-1/2 38												
7024-19-21		2/60	2/25	100	142	21	15.5	20.5	21.88	29.75	32.12	21.5	12.12	13	16.75
		2/18	2/8	45	64	533	394	521	556	756	816	546	308	330	425
7026-23-24		2/90	2/50	105	147	23	17.5	20.5	23	31.75	34.12	23.5	12.12	15	16.75
		2/27	2/15	48	67	584	445	521	584	806	867	597	308	381	425
7032-25-26		2/175	2/100	129	179	29.5	24	25.5	24.75	38.25	40.62	27.88	15.5	21.5	21.75
		2/53	2/31	59	81	749	610	648	629	972	1032	708	394	546	552
† 7032-30-31		2/300	2/175	137	187	29.5	24	25.5	28.75	38.25	40.62	29.88	15.5	21.5	21.75
		2/91	2/53	62	85	749	610	648	730	972	1032	759	394	546	552
† 7024-33-34		2/225	2/150	120	170	20.5	15.5	31.5	31.75	29.75	32.12	33.62	17.75	13	27.75
		2/69	2/46	54	77	521	394	800	806	756	816	854	451	330	705
† 7032-33-34		2/350	2/225	137	187	29	24	31.5	31.75	38.25	40.62	33.62	17.75	21.5	27.75
		2/107	2/69	62	85	737	610	800	806	972	1032	854	451	546	705

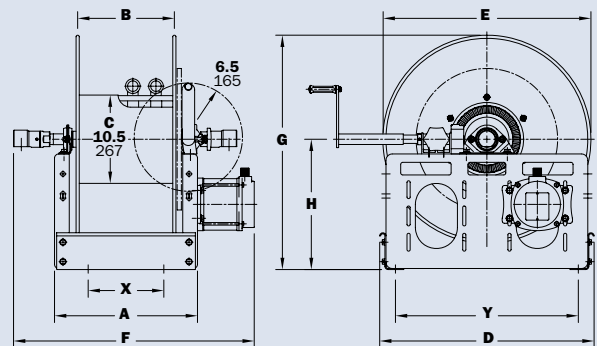
Notes:

- Specifications subject to change.
- Upon request, reels can be supplied with drum lengths other than shown and with disc sizes in other diameters.
- Dimensions shown for reels up to and including 30-31 disc size reflect pressed frames. All others are rollformed channel frames.
- Weights shown in chart are for crank rewind models. ADD these amounts for power rewind models.

	Net lbs/kg	Ship lbs/kg
Electric	40/18.1	40/18.1
Hydraulic	20/9.1	20/9.1
Air	20/9.1	20/9.1

- When ordering, prefix model number with:
 - A** = Air Rewind – Supplied with control valve and 18" air hose.
 - EP** = Electric Rewind (1/2 HP) – 12v and 24v DC rewind reels are supplied with switch and solenoid; 115v AC rewind reels are not supplied with switch but can be ordered separately.
 - HD** = Hydraulic Rewind – Not supplied with control valve.
 - MX** = Chain-Driven Crank.
- Finish:** Refer to page 3.
- Be sure to check dimensions and weights prior to ordering.**

NOTICE: A flexible connector must be used between the inlet pipe and the inlet swivel joint.
 *** X, Y indicate mounting holes. See page 5.
 † Some applications require a clutch/reduction unit.



Power rewind shown

Series 7500

- Fuel Dispensing (Consult Factory) • Bulk Transfer
- Suction/Discharge (Consult Factory)

To handle single 1-1/4" or 1-1/2" I.D. hose.

- Choose gear-driven crank rewind or chain and sprocket drive powered by an electric, hydraulic or compressed air motor.
- Crank rewind reels supplied with pinion brake and power rewind reels with a strap brake.
- Standard inlet: 90° ball bearing swivel joint, 1-1/2" female NPT threads, and 2" Victaulic® groove.
- Standard outlet: flanged riser, 1-1/2" female NPT threads.
- Standard: inlet, outlet riser, and hub assembly are steel. Options: also available in aluminum or stainless steel.
- Standard pressures to 600 psi (41 bar), consult factory for other pressure ratings – must specify.
- Temperatures from -25°F to +250°F (-32°C to +121°C), optional temperatures to +400°F (+204°C) – must specify.
- Rollers and roller mounting brackets are accessory items. Specify roller position.
- Consult factory for optional chain guard.



Standard configuration shown



Optional Auxiliary Rewind

Ring and pinion shaft rewind unit with removable crank handle.

PARTS DRAWING – ISO 18

Model Number For power rewind see Note 5	Hose Capacity of Reel feet m			Approx. Weight Crank Rewind lb. kg see Note 4		Reel Dimensions*** in. mm									
	I.D. in. mm	1-1/4 32	1-1/2 38	NET	SHIP	A	B	D	E	F CRANK	F POWER	G	H	X	Y
	O.D. in. mm	1-13/16 46	2-1/16 52			25.5	20	20.5	18.75	32	33	21.5	12.12	17.5	16.75
7528-19-21	70	50	104	146	25.5	20	20.5	18.75	32	33	21.5	12.12	17.5	16.75	
	21	15	47	66	648	508	521	476	813	838	546	308	445	425	
7538-23-24	175	100	130	172	35	29.5	20.5	22.75	41.5	42.5	23.5	12.12	27	16.75	
	53	30	59	78	889	749	521	578	1054	1080	597	308	686	425	
7520-25-26	75	50	106	148	17	11.5	25.5	24.75	23.5	24.5	27.88	15.5	9	21.75	
	23	15	48	67	432	292	648	629	597	622	708	394	229	552	
7528-25-26	125	100	123	165	25.5	20	25.5	24.75	32	33	27.88	15.5	17.5	21.75	
	38	30	56	75	648	508	648	629	813	838	708	394	445	552	
7522-30-31	125	100	118	168	19	13.5	25.5	28.75	25.5	26.5	29.88	15.5	11	21.75	
	38	30	54	76	483	343	648	730	648	673	759	394	279	552	
†7528-30-31	200	150	131	181	25.5	20	25.5	28.75	32	33	29.88	15.5	17.5	21.75	
	61	46	59	82	648	508	648	730	813	838	759	394	445	552	
†7526-33-34	200	175	133	183	22.5	17.5	31.5	31.75	29.25	30.25	33.62	17.75	15	27.75	
	61	53	60	83	572	445	800	806	743	768	854	451	381	705	

Notes:

- Specifications subject to change.
- Upon request, reels can be supplied with drum lengths other than shown and with disc sizes in other diameters.
- Dimensions shown for reels up to and including 30-31 disc size reflect pressed frames. All others are rollformed channel frames.
- Weights shown in chart are for crank rewind models. ADD these amounts for power rewind models.

	Net lbs/kg	Ship lbs/kg
Electric	40/18.1	40/18.1
Hydraulic	20/9.1	20/9.1
Air	20/9.1	20/9.1

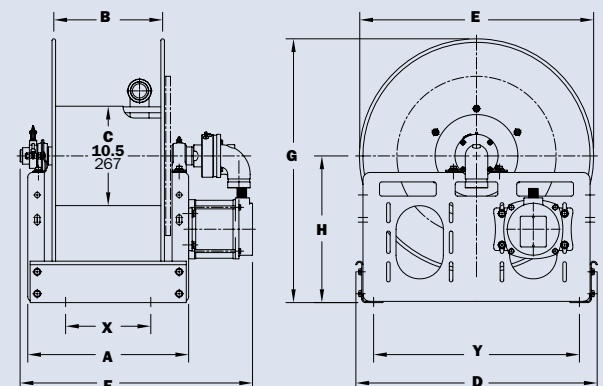
- When ordering, prefix model number with:
 - A** = Air Rewind – Supplied with control valve and 18" air hose.
 - EP** = Electric Rewind (1/2 HP) – 12v and 24v DC rewind reels are supplied with switch and solenoid; 115v AC rewind reels are not supplied with switch but can be ordered separately.
 - HD** = Hydraulic Rewind – Not supplied with control valve.
- Finish:** Refer to page 3.

7. Be sure to check dimensions and weights prior to ordering.

NOTICE: A flexible connector must be used between the inlet pipe and the inlet swivel joint.

*** X, Y indicate mounting holes. See page 5.

†Some applications require a clutch/reduction unit.



Power rewind shown

Series 8000

- Bulk Transfer • Fueling Applications (Consult Factory)
- Chemical Transfer • General Dispensing • Suction/Discharge (Consult Factory)

To handle single 1-1/2" or 2" I.D. hose.

- Heavy-duty reel designed for longer lengths and larger diameters of hose through 2" I.D.
- Choose gear-driven crank rewind or chain and sprocket drive powered by an electric, hydraulic or compressed air motor.
- Crank rewind reels supplied with a pinion brake; power rewind reels with a strap brake.
- Standard inlet: 90° ball bearing swivel joint, 2" female NPT threads.
- Standard outlet: flanged riser, 2" female NPT threads.
- Standard: inlet, outlet riser, and hub assembly are steel. Options: also available in aluminum or stainless steel.
- Pressures to 600 psi (41 bar).
- Temperatures from -25°F to +250°F (-32°C to +121°C), optional temperatures to +400°F (+204°C) – must specify.
- Consult factory for other pressures and temperatures.
- Rollers and roller mounting brackets are accessory items. Specify roller position.
- Consult factory for optional chain guard.



Standard configuration shown



Chain Clutch-Reduction Units

For use on power reels with disc diameter 39" or larger and/or when increased torque and slower rewind speeds are required. Factory installed when specified or available as an accessory item.

PARTS DRAWING – ISO 35

Model Number <small>For power rewind see Note 4</small>	Hose Capacity of Reel feet m			Approx. Weight Crank Rewind lb. kg <small>see Note 3</small>		Reel Dimensions*** in. mm									
	I.D. in. mm	1-1/2 38	2 51	NET	SHIP	A	B	D	E	F CRANK	F POWER	G	H	X	Y
	O.D. in. mm	2-1/16 52	2-9/16 65			26.25 667	20 508	27 686	25.75 654	33.75 857	34.75 883	26.62 676	13.75 349	18.75 476	18.75 476
8234-26-27	80 24	60 18	120 54	170 77	26.25 667	20 508	27 686	25.75 654	33.75 857	34.75 883	26.62 676	13.75 349	18.75 476	18.75 476	23.25 591
8238-26-27	100 30	75 23	145 66	195 88	30.25 768	24 610	27 686	25.75 654	37.75 959	38.75 984	26.62 676	13.75 349	22.75 578	22.75 591	23.25 591
8246-26-27	145 44	100 30	196 89	245 112	38.25 972	32 813	27 686	25.75 654	45.75 1162	46.75 1188	26.62 676	13.75 349	30.75 781	30.75 781	23.25 591
8226-33-34	85 26	60 18	80 36	150 68	17.75 451	11.5 292	31.5 800	31.75 806	25.25 641	26.25 667	33.38 848	17.75 445	10.25 260	10.25 260	27.75 705
8234-33-34	150 46	115 35	133 60	230 105	26.25 667	20 508	31.5 800	31.75 806	33.75 857	34.75 883	33.38 848	17.75 445	18.75 476	18.75 476	27.75 705
8238-39-40	340 104	225 69	218 99	420 191	30.25 768	24 610	40 1016	39 991	37.75 959	38.75 984	39.88 1013	20.38 518	22.75 578	37 940	940

Notes:

- Specifications subject to change.
- Upon request, reels can be supplied with drum lengths other than shown and with disc sizes in other diameters.
- Weights shown in chart are for crank rewind models. ADD these amounts for power rewind models.

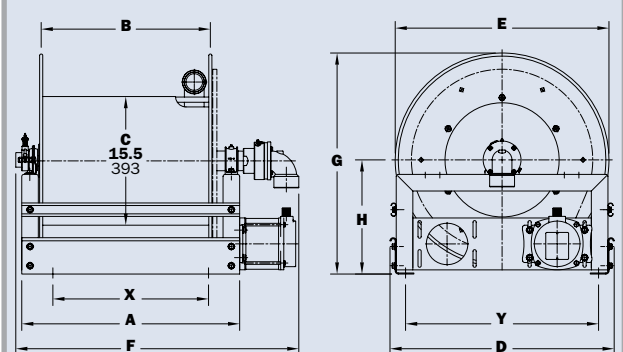
	Net lbs/kg	Ship lbs/kg
Electric	40/18.1	40/18.1
Hydraulic	20/9.1	20/9.1
Air	20/9.1	20/9.1

- When ordering power rewind models, prefix model number with:
A = Air Rewind – Supplied with control valve and 25" air hose.
EP = Electric Rewind (1/2 HP) – 12v and 24v DC rewind reels are supplied with switch and solenoid; 115v AC rewind reels are not supplied with switch but can be ordered separately.
HD = Hydraulic Rewind – Not supplied with control valve.

- Finish:** Refer to page 3.
- Be sure to check dimensions and weights prior to ordering.**

NOTICE: A flexible connector must be used between the inlet pipe and the inlet swivel joint.

*** X, Y indicate mounting holes. See page 5.



Power rewind shown

Series 9000

- Fueling Applications (Consult Factory) • Bulk Transfer
- Suction/Discharge (Consult Factory) • High Volume Application • Chemical Transfer

To handle 2-1/2" or 3" I.D. hose.

- Heavy-duty reel designed for longer lengths and larger diameters of hose through 3" I.D.
- Choose gear-driven crank rewind or chain and sprocket drive powered by an electric, hydraulic or compressed air motor.
- Crank rewind reels supplied with a pinion brake; power rewind reels with a strap brake.
- Standard inlet: 90° ball bearing swivel joint, 3" female NPT threads.
- Standard outlet: flanged riser, 3" female NPT threads.
- Standard: outlet riser, and hub assembly are aluminum with ductile inlet.
- Options: swivel joint also available in aluminum or stainless steel. Riser and hub assembly also available in stainless steel.
- Pressures to 300 psi (21 bar).
- Temperatures from -50°F to +180°F (-45°C to +82° C).
- Consult factory for other pressures and temperatures.
- Rollers and roller mounting brackets are accessory items. Specify roller position.
- Consult factory for optional chain guard.



Electric rewind Standard configuration shown



Chain Clutch-Reduction Units

For use on power reels with disc diameter 39" or larger and/or when increased torque and slower rewind speeds are required. Factory installed when specified or available as an accessory item.

PARTS DRAWING – ISO 57

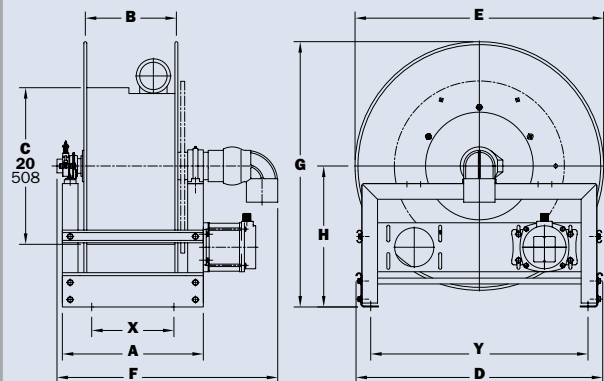
Model Number <small>For power rewind see Note 4</small>	Hose Capacity of Reel feet m			Approx. Weight Crank Rewind lb. kg <small>see Note 3</small>		Reel Dimensions*** in. mm																		
	I.D. in. mm	2-1/2 64	3 76	NET	SHIP	A	B	D	E	F CRANK	F POWER	G	H	X	Y									
	O.D. in. mm	3-3/16 81	3-3/4 95																					
9332-33-34	30	25	147	217	23.75	17.5	31.5	31.75	33.75	33.25	33.88	18	16.25	27.75	603	445	800	80	857	845	861	457	413	705
9338-33-34	45	35	187	257	30.25	24	31.5	31.75	40.25	39.75	33.88	18	22.75	27.75	768	610	800	807	1022	1010	861	457	578	705
9346-33-34	60	50	237	372	38.25	32	31.5	31.75	48.25	47.75	33.88	18	30.75	27.75	972	813	800	807	1226	1213	861	457	781	705
9338-39-40	90	80	239	480	30.25	24	40	39	40.25	39.75	40.38	20.88	22.75	37	768	610	1016	991	1022	1010	1026	530	578	940
9334-45-46	130	115	361	525	26.25	20	46	45	36.25	35.75	46.38	23.88	18.75	43	667	508	1168	1143	921	908	1178	607	476	1092

Notes:

- Specifications subject to change.
- Upon request, reels can be supplied with drum lengths other than shown and with disc sizes in other diameters.
- Weights shown in chart are for crank rewind models. ADD these amounts for power rewind models.

	Net lbs/kg	Ship lbs/kg
Electric	40/18.1	40/18.1
Hydraulic	20/9.1	20/9.1
Air	20/9.1	20/9.1

- When ordering power rewind models, prefix model number with:
A = Air Rewind – Supplied with control valve and 25" air hose.
EP = Electric Rewind (1/2 HP) – 12v and 24v DC rewind reels are supplied with switch and solenoid; 115v AC rewind reels are not supplied with switch but can be ordered separately.
HD = Hydraulic Rewind – Not supplied with control valve.
- Finish:** Refer to page 3.
- Be sure to check dimensions and weights prior to ordering.**
- NOTICE:** A flexible connector must be used between the inlet pipe and the inlet swivel joint.
- *** X, Y indicate mounting holes. See page 5.



Power rewind shown

Series **1100/AT1200**

- Grounds Maintenance • Restaurants/Hotels
- Washdown Operations • Home Use

To handle 3/8" through 1" I.D. hose.

- Continuous flow reels with swivel joint inlet, fluid hub, outlet riser.
- Direct crank rewind and cam-lock drag brake.
- One-piece foot and removable steel handlebar.
- **GH** prefix to model number (e.g., GH1100, GHAT1200) includes garden hose thread on outlet, 5' lead-in hose, hose end clips.

Model 1100

- Standard inlet: 90° ball bearing swivel joint, 1/2" female NPT threads.
- Standard outlet: 1/2" female NPT threads.
- Pressures to 3000 psi (207 bar).
- Temperatures from +20°F to +400°F (-7°C to +204°C).
- Rubber tires standard.

Model AT1200

- Standard inlet: 90° balance pressure swivel joint, 1" female NPT threads.
- Standard outlet: 1" female NPT threads.
- Standard pressures to 2000 psi (138 bar), available up to 4000 psi (276 bar) – must specify.
- Temperatures from -40°F to +250°F (-40°C to +121°C).
- Pneumatic tires standard.



GH1100 configuration shown in optional green powder coat finish



GHAT1200 configuration shown

PARTS DRAWING – 1100–ISO 48; AT1200–ISO 87

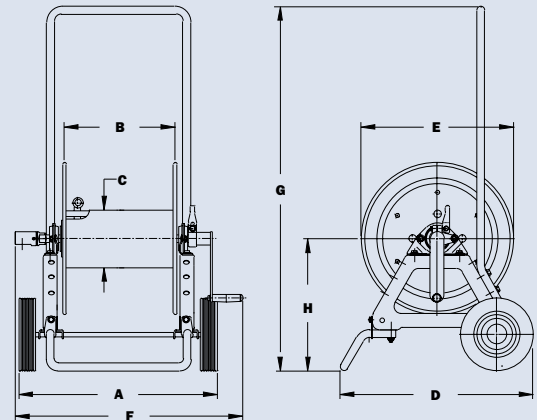
Model Number	Hose Capacity of Reel feet m						Approx. Weight lb. kg		Reel Dimensions in. mm							
	I.D. in. mm	3/8	1/2	5/8	3/4	1	NET	SHIP	A	B	C	D	E	F	G	H
	O.D. in. mm	3/4	7/8	1	1-9/32	1-1/2										
1100	275 84	175 53	125 38	–	–	–	47 21	100* 46	21.5 54.6	12 305	6 152	21 533	16.5 419	25.38 645	39 991	13.81 351
AT1200	–	350 107	250 76	150 46	100 30	–	86 39	147* 67	24.88 632	11.5 292	8 203	23.31 592	22.75 578	27.25 692	40 1016	17.25 438

Notes:

1. Specifications subject to change.
2. Some assembly required.
3. **Finish:** Refer to page 3.

4. **Be sure to check dimensions and weights prior to ordering.**

*Dimensional weight applies when shipped as a parcel package (via FedEx or UPS Ground).



GH1100 shown

Series **C1150/ATC1250**

- Industrial Maintenance • Construction
- Agriculture • Grounds Maintenance

For storage of hose, cable, rope or wire.

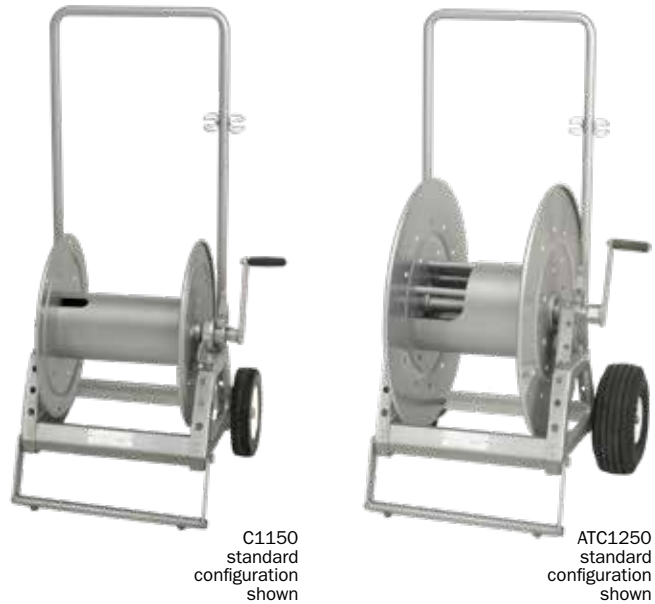
- Direct crank rewind and cam-lock drag brake.
- One-piece foot and removable steel handlebar.

Model C1150

- A 1-1/8" x 2-3/8" (28 mm x 60 mm) opening in the drum to initiate winding.
- Rubber tires standard.

Model ATC1250

- A larger version of the C1150 with a 4-1/2" x 9" (114 mm x 229 mm) drum opening.
- Pneumatic tires standard.



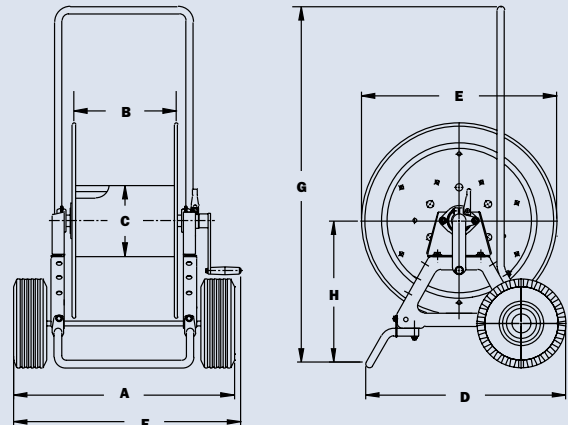
PARTS DRAWING – C1150–ISO 48; ATC1250–ISO 87

Model Number	Cable Capacity of Reel feet m				Approx. Weight lb. kg		Reel Dimensions in. mm								
	O.D. in. mm	Gauge/Number of Conductors				NET	SHIP	A	B	C	D	E	F	G	H
		16/3	14/3	12/3	10/3										
C1150	1100	500	400	300	44	100*	21.5	12	6	21	16.5	25	39	13.81	
	335	152	122	91	20	46	546	305	152	533	419	635	991	351	
ATC1250	1800	950	750	550	84	147*	24.88	11.5	8	23.31	22.75	27.25	40	17.25	
	549	290	229	168	38	67	32	292	203	592	578	692	1016	438	

Notes:

1. Specifications subject to change.
2. Some assembly required.
3. When ordering specify model number, O.D., length, and weight of cable, hose, etc.
4. **Finish:** Refer to page 3.
5. **Be sure to check dimensions and weights prior to ordering.**

*Dimensional weight applies when shipped as a parcel package (via FedEx or UPS Ground).



ATC1250 Shown

Series C1500

• Hose • Rope • Cable • Wire

To handle single 1/4" through 1" O.D.

- Reels are designed for storage of long lengths of hose, cable, rope, wire or other materials.
- A 1-1/8" x 2-3/8" (28 mm x 60 mm) opening in the drum to initiate winding.
- Manual rewind reels include: cam-lock drag brake, spring actuated pin lock and direct crank rewind.
- Power rewind reels include: chain and sprocket drive powered by electric, hydraulic or air motor.
- Optional divider discs can be placed at almost any point. Be sure to specify spacing of discs on your order.
- Rollers and roller mounting brackets are accessory items. Specify roller position.



Standard configuration with optional finish shown



Optional External Mounting Brackets

Part No. 9906.0027.
Add 2-1/2" to the X dimensions shown in the chart.

PARTS DRAWING – ISO 218

Model Number <small>For power rewind see Note 5</small>	Hose Capacity of Reel feet m					Approx. Weight Crank Rewind lb. kg <small>see Note 4</small>			Reel Dimensions*** in. mm					
	O.D. in. mm	1/4 6	1/2 13	3/4 19	1 25	NET	UPS/ FedEx SHIP Wt.	Freight SHIP Wt.	A	B	E CRANK	E POWER	F CRANK	F POWER
C1514-17-18	1300 396	325 99	150 46	75 23	23 10	65* 30	58 26	11 279	6 152	16.5 419	19 483	18.25 464	16.5 491	9.5 241
C1520-17-18	-	650 198	300 91	150 46	25 11	80* 36	60 27	17 432	12 305	16.5 419	19 483	24.25 616	22.5 572	15.5 394
C1526-17-18	-	900 274	450 137	225 69	27 12	98* 45	62 28	23 584	18 457	16.5 419	19 483	30.25 768	28.5 724	21.5 546
C1530-17-18	-	1000 305	550 168	275 84	29 13	110* 50	64 29	27 686	22 559	16.5 419	19 483	34.25 870	32.5 826	25.5 648

Notes:

- Specifications subject to change.
- Upon request, reels can be supplied with drum lengths other than shown and with disc sizes in other diameters.
- Dimensions reflect pressed frames.
- Weights shown in chart are for crank rewind models. ADD these amounts for power rewind models (does not apply to FedEx or UPS):

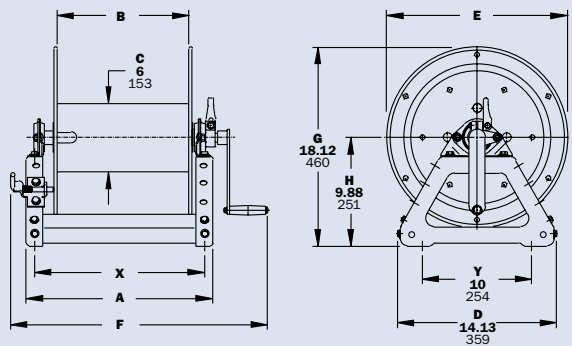
	Net lbs/kg	Ship lbs/kg
Electric	18/8.2	18/8.2
Hydraulic	15/6.8	15/6.8
Air	15/6.8	15/6.8

- When ordering power rewind models, prefix model number with:
 - A** = Air Rewind – Supplied with control valve and 18" air hose.
 - E** = Electric Rewind – 12v and 24v DC rewind reels are supplied with switch and solenoid; 115v AC rewind reels are not supplied with switch but can be ordered separately.
 - HD** = Hydraulic Rewind – Not supplied with control valve.

- Finish:** Refer to page 3.
- Be sure to check dimensions and weights prior to ordering.**

*Dimensional weight applies when shipped as a parcel package (via FedEx or UPS Ground).

*** X, Y indicate mounting holes. See page 5.



Crank rewind shown

Series C3200

• Hose • Rope • Cable • Wire

To handle single 1/2" through 1-1/2" O.D.

- A 4-1/2" x 9" (114mm x 229mm) opening in the drum to initiate winding.
- Designed for storage of long lengths of hose, cable, rope, wire or other materials.
- Choose disc rewind or removable direct crank rewind.
- Supplied with spring actuated pin lock.
- Optional divider discs can be placed at almost any point. Be sure to specify spacing of discs on your order.
- Rollers and roller mounting brackets are accessory items. Specify roller position.
- For power rewind, see Series C in cable reels catalog H0507-C.



Standard configuration with crank handle shown



Optional Aluminum Hand Cart

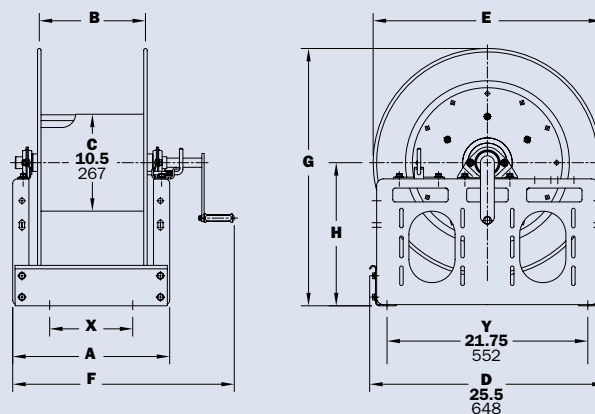
4300-AL mounting available.

PARTS DRAWING – ISO 117

Model Number	Hose Capacity of Reel feet m						Approx. Weight Crank Rewind lb. kg		Reel Dimensions*** in. mm					
	O.D. in. mm	1/2 13	3/4 19	1 25	1-1/4 32	1-1/2 38	NET	SHIP	A	B	E CRANK	F CRANK	G	H
C3218-25-26	1000	450	225	125	90	85	127	15	9.5	24.75	22.75	27.88	15.5	7
	305	137	69	38	27	39	58	381	241	629	578	708	394	178
C3228-25-26	–	1000	500	325	200	109	151	25.5	20	24.75	33.25	27.88	15.5	17.5
	–	305	152	99	61	49	68	648	508	629	845	708	394	445
C3234-25-26	–	1300	650	400	275	122	164	31.5	26	24.75	39.25	27.88	15.5	23.5
	–	396	198	122	84	55	74	800	660	629	997	708	394	597

Notes:

1. Specifications subject to change.
 2. Upon request, reels can be supplied with drum lengths other than shown and with disc sizes in other diameters.
 3. Dimensions reflect pressed frames.
 4. Series C3200 requires 3-1/2" clearance to remove crank handle.
 5. Subtract 5" from "F" dimension for disc rewind on C3200 Series.
 6. **Finish:** Refer to page 3.
 7. **Be sure to check dimensions and weights prior to ordering.**
- *** X, Y indicate mounting holes. See page 5.



You Can't Buy A Better Reel.

Find reels for every need.

Learn more about all of our reels, including specs, drawings, and even how to select the right reels and accessories for your industry.



Welding Reels

Includes specs and information on:

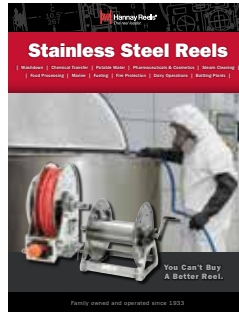
- Mobile and fixed installations
- Arc welding
- Gas welding
- Cutting operations



Cable Reels

Find out more about:

- Manual and power rewind reels
- Storage reels
- Reels for live electric cable
- Portable reels
- Static and truck grounding reels



Stainless Steel Reels

Comprehensive information on:

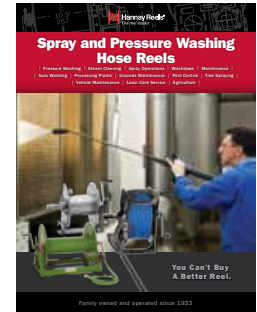
- Spring rewind reels
- Manual rewind reels
- Compact manual rewind reels
- Fuel reels



Ordering & Accessory Guide

Learn more about:

- Selecting the right reel
- Reel components
- Available accessories
- How to spec and order reels and accessories
- Ordering options
- Hannay Reels policies



Spray and Pressure Washing Hose Reels

Details and specs for:

- Pressure wash reels
- Manual, spring, and remote controlled power rewind reels
- Portable hose reels
- Small frame model reels

View all our reel catalogs online at hannay.com



Family owned and operated since 1933, Hannay Reels is the world leader in both OEM and aftermarket applications. Hannay offers thousands of standard hose reel and cable reel models, as well as unmatched custom capabilities. We can easily and affordably customize a reel to meet your exact specifications – built to last, delivered fast. Additional catalogs are available through your local Hannay Reels dealer or online at hannay.com.



553 State Route 143 | Westerlo, New York 12193
Email: reels@hannay.com | hannay.com



All Hannay reels are constructed of quality heavy gauge steel (optional aluminum or stainless steel also available on most models).

Phone: **518-797-3791**
Toll Free: **1-877-467-3357**

Domestic FAX: **1-800-733-5464**
International FAX: **518-797-3259**

Form H-0308-H REV 7 WEB 1-21



Reel Product News

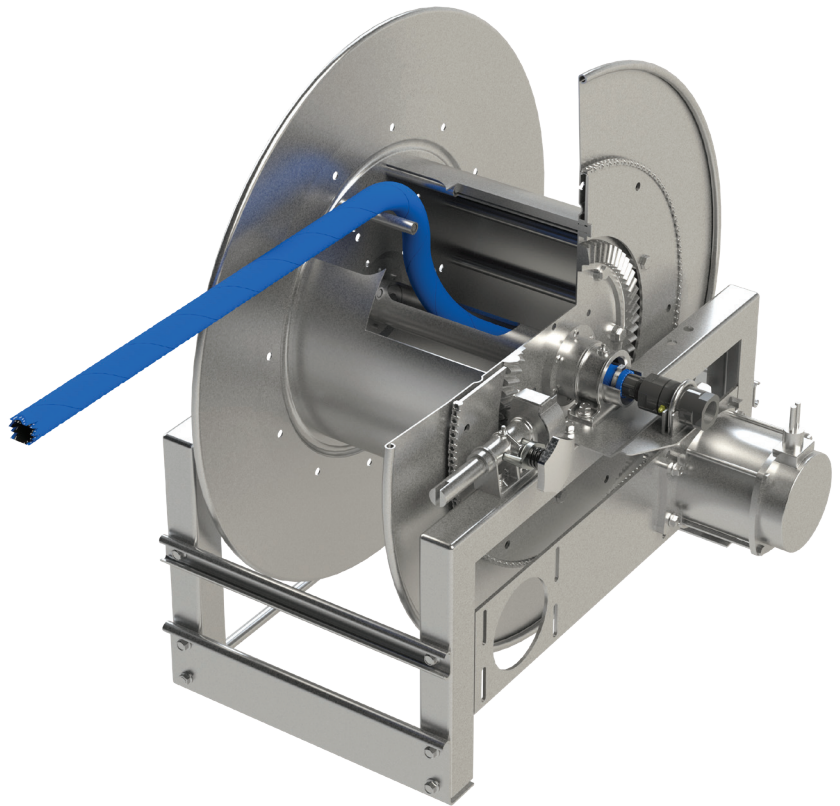
Hannay Reels for Corrosive Chemical Applications

Hannay Reels offers the most durable, dependable hose reels for the safe handling of a variety of corrosive and sensitive chemicals.

Our specialty designed reels are used in chemical distribution/delivery for a variety of applications including: commercial/community pools, water parks, toxic waste recycling, bulk handling of acid, bleach, chlorine, pesticides, fertilizers and more.

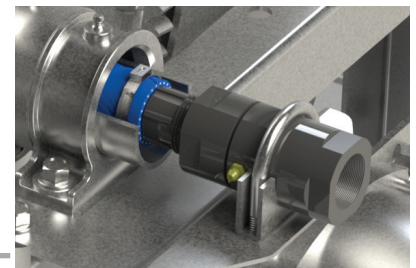
Specifications:

- Handles 3/8" through 1-1/2" ID hose, ranging from 50 ft up to 200 ft in length. For larger ID hose please consult factory.
- Standard inlet: CPVC swivel joint resists corrosion and provides longer life.
- Slotted hub for hose passage, with drum cut out on opposite side from the swivel joint. Fluid will not come in contact with metal, as the hose acts as the sole fluid path.
- Manual or power rewind with optional auxiliary crank rewind on specific models.
- Special swivel mounting bracket with clamp to hold the CPVC swivel in place.



Top: Detailed cut-out of slotted hub for hose passage

Right: Close-up of CPVC swivel, clamp and mounting bracket.



ORDERING INFORMATION:

Contact Hannay Reels Inside Sales Department at: 877-467-3357 or email reels@hannay.com for more information. Be sure to provide detailed specifications on hose type, ID/OD and application information when ordering.

Reel Product News

Hannay Offers Industrial Vacuum Reel Options

Four new series of industrial strength reels are now available. The VAC4000, VAC900, VACN900 & VAC2900 are designed specifically for shop vacuum applications, car detailing operations and general industrial vacuum needs.

These reels handle up to 50' of 1-1/2" or 2" ID vacuum hose, are constructed of heavy-duty steel and available in manual or spring return to automatically rewind hose.



VAC4000 Standard Features:

- To handle 1-1/2" ID industrial vacuum hose.
- Includes permanently attached crank handle and cam-lock drag brake.
- Rollformed channel frame for heavy duty applications.
- Internal hub connection to fit hose cuff.

VAC4000 Series

Standard configuration shown (hose not included).

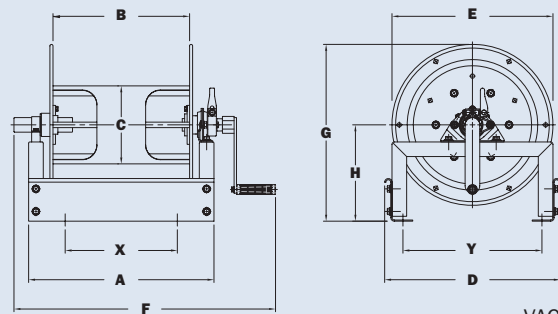
Model Number	Hose Capacity of Reel		Approx. Weight			Reel Dimensions***									
	feet m		lb. kg			in. mm									
	I.D. in. mm	1-1/2 38	NET	UPS/ FedEx SHIP Wt.	Freight SHIP Wt.	A	B	C	D	E	F	G	H	X	Y
VAC4020-17-18-8	25	8				38	82	73	17	12	8	18	16.50	24.88	18.13
		1.84	17	37	33	431	305	203	457	419	632	460	251	241	362
VAC4024-17-18-8	35	11	42	94	77	21	16	8	18	16.50	28.88	18.13	9.88	13.50	14.25
		1.84	19	43	35	533	406	203	457	419	734	460	251	343	362
VAC4028-17-18-8	50	15	46	98	81	25	20	8	18	16.50	32.88	18.13	9.88	17.50	14.25
		1.84	21	45	37	635	508	203	457	419	835	460	251	445	362

Notes:

1. Specifications subject to change.
2. Upon request, reels can be supplied with drum lengths other than shown.
3. Dimension "F" is the overall length of standard model reels.
4. **Be sure to check dimensions and weights prior to ordering.**

* Dimensional weight applies when shipped as a parcel package (via FedEx or UPS Ground).

*** X, Y indicate mounting holes. (Also applies for external mounting brackets.)



VAC4000

See reverse for additional reel models. ▶

Reel Product News

VACN900 Standard Features:

- To handle 1-1/2" ID industrial vacuum hose.
- N-series has a narrow frame and compact mounting base, allows for different mounting options: floor, ceiling or wall.
- Non-sparking ratchet assembly locks hose at different payout lengths and 4-way roller assembly to guide hose.



◀ **VACN900 Series**
standard configuration shown with "SR" roller position (hose not included).

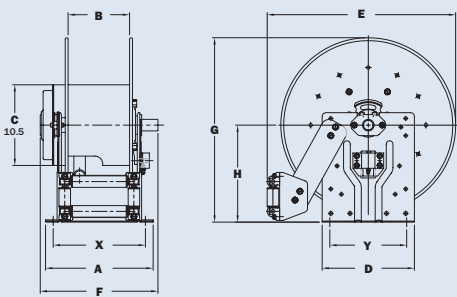
VAC900/VAC2900 Standard Features:

- VAC900: to handle 1-1/2" ID vacuum hose.
VAC2900: to handle 2" ID vacuum hose.
- Roll-formed channel frame for heavy-duty applications, allows different mounting options: floor, ceiling or wall.
- Non-sparking ratchet assembly locks hose at different payout lengths and 4-way roller assembly to guide hose.

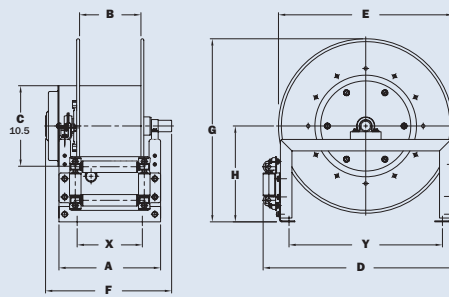


VAC900 Series ▶
optional "TR" roller position shown (hose not included).

Model Number	Hose Capacity of Reel			Approx. Weight		Standard Roller Assy.	Reel Dimensions***								
	feet m			lb. kg			in. mm								
	I.D. in. mm	1-1/2 38	2 51	NET	SHIP		A	B	D	E	F	G	H	X	Y
VACN918-23-24-10.5L	25	–	–	60	95	N306	12	6	12	24.50	13.38	24	12.63	10	10
	8	–	–	27	43		305	152	305	622	340	610	320	254	254
VACN920-23-24-10.5L	35	–	–	62	97	N308	14	8	12	24.50	15.68	24	12.63	12	10
	11	–	–	28	44		356	203	305	622	391	610	320	305	254
VAC920-28-29-10.5J	50	–	–	76	111	R308	13.25	8	28.5	26.75	16.5	28.25	14.88	8.5	23.25
	15	–	–	34	50		337	203	724	679	419	718	378	216	591
VAC2920-28-29-10.5J	–	25	–	77	112	R2308	13.25	8	28.5	26.75	16.5	28.25	14.88	8.5	23.25
	–	8	–	35	51		337	203	724	679	419	718	378	216	591
VAC2922-28-29-10.5J	–	35	–	79	113	R2310	15.25	10	28.5	26.75	18.5	28.25	14.88	10.5	23.25
	–	11	–	36	51		387	254	724	679	470	718	378	267	591
VAC2920-33-34-10.5J	–	50	–	92	127	R2308	13.25	8	33	31.25	16.5	33.63	17.75	8.5	27.75
	–	15	–	42	58		337	203	838	794	419	854	451	216	705

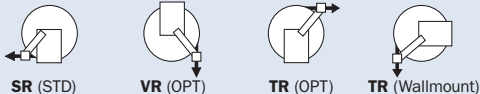


VACN900



VAC900/VAC2900

Available Roller Positions



Notes: A hose stop is necessary to keep spring from unwinding.

1. Specifications subject to change.
2. Reel models and capacities shown are for standard drag applications; for vertical lift applications, consult factory.
3. Be sure to check dimensions and weights prior to ordering.

*** X, Y indicate mounting holes.

Reel Product News

Hannay Special Heavy-Duty 1500 Series Reels

Hannay Reels 1500 series reel, used for pressure washing, steam cleaning, high and low pressure water supply, air and more, can be upgraded to handle heavy-duty jetting operations as well.

Upgrades include providing a stiffer spool to counter high-pressure hose expansion concerns, a reinforced frame for extra rigidity and a larger drum to accommodate hose with a higher bend radius.

Standard Features:

To handle single 3/8" through 5/8" I.D. hose.

- Lightweight, compact reels designed for long lengths of hose in manual or power rewind.
- Direct crank rewind is permanently attached.
- Manual reels include cam-lock drag brake and pin lock. Power reels include chain and sprocket drive powered by electric motor.
- Standard inlet: 90° full flow swivel joint, 1/2" FNPT threads. Standard outlet: 1/2" FNPT threads.
- Standard pressures up to 3000 psi (207 bar) and temperatures to +400°F (+204°C).

Upgrade Options:

- 3/16" thick discs are 2.5 times thicker than standard to better handle high pressure hose expansion.
- 8" diameter steel 14 gage drum to handle hose with higher bend radius.
- Welded frame base for superior strength and rigidity.
- Optional pressures of 5,000 psi or 10,000 psi available.



E1500 Series Reel
Shown with special heavy-duty options.

ORDERING INFORMATION:

Contact Hannay Reels Inside Sales Department at: 877-467-3357 or email reels@hannay.com for more information.